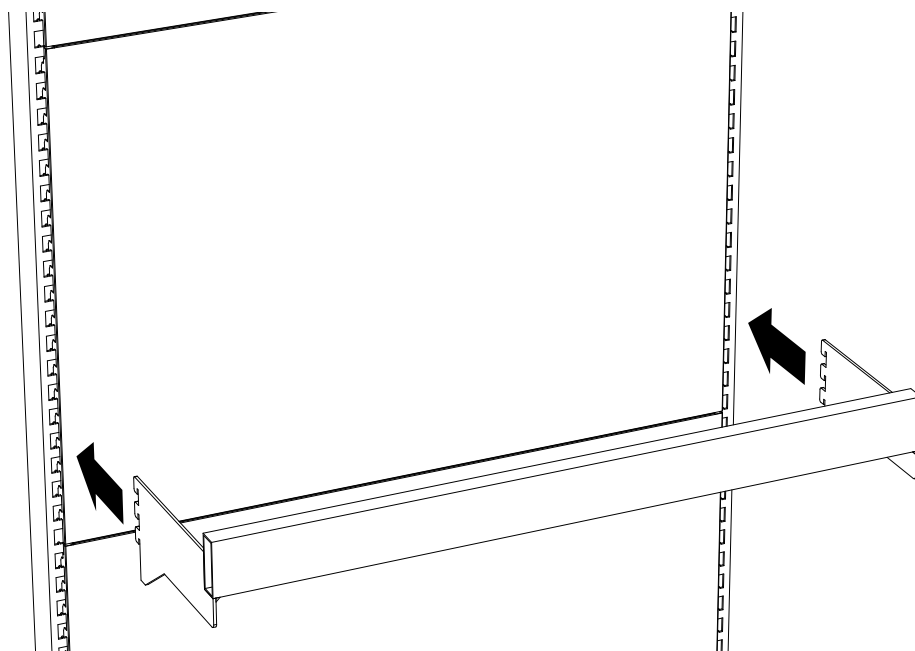


4eBin™ Gravity bin

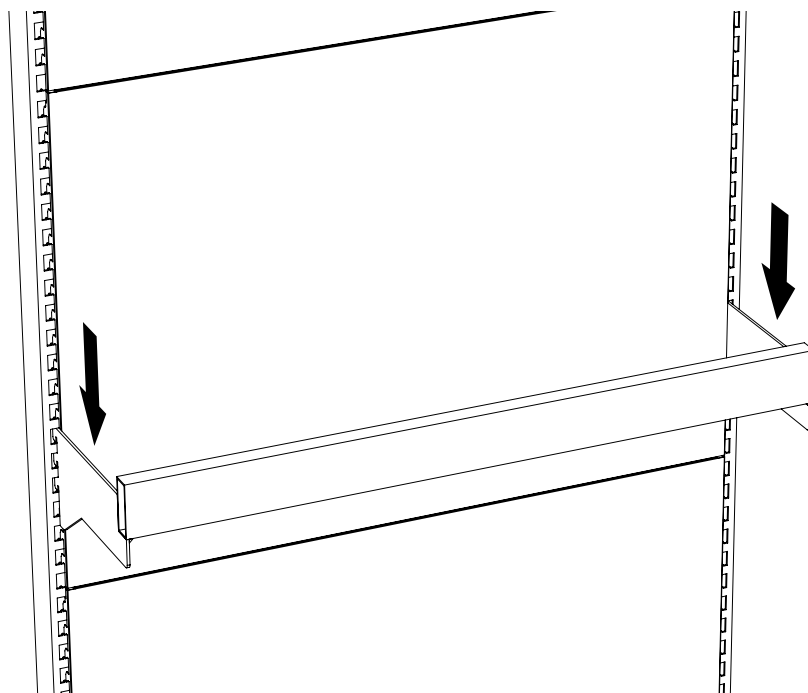
Mounting instruction

4eBin™ Gravity bin – On crossbar with holder

1

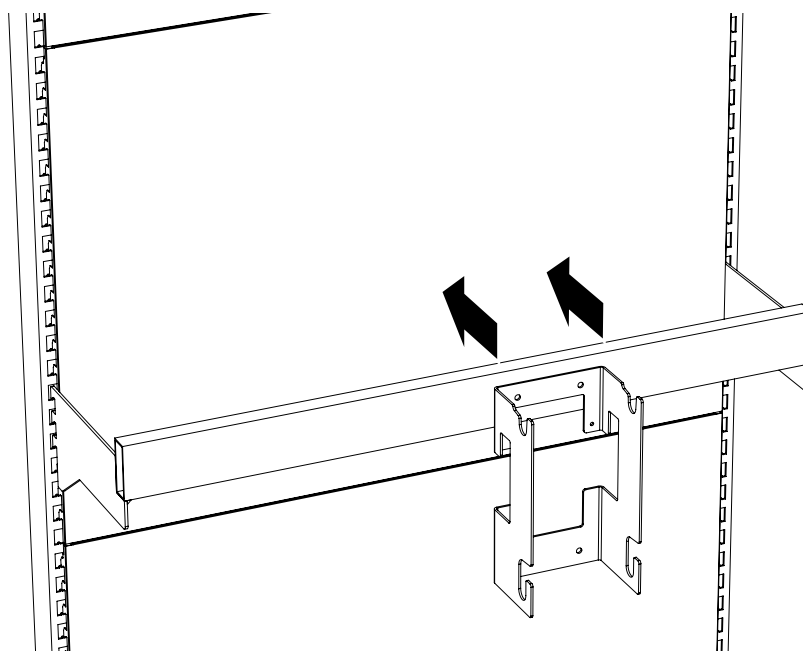


2

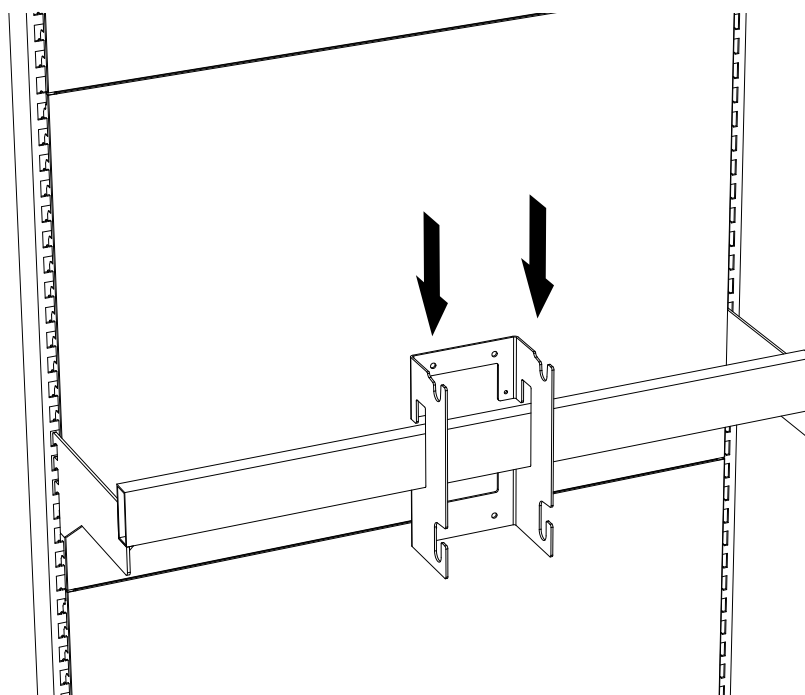


4eBin™ Gravity bin – On crossbar with holder

3

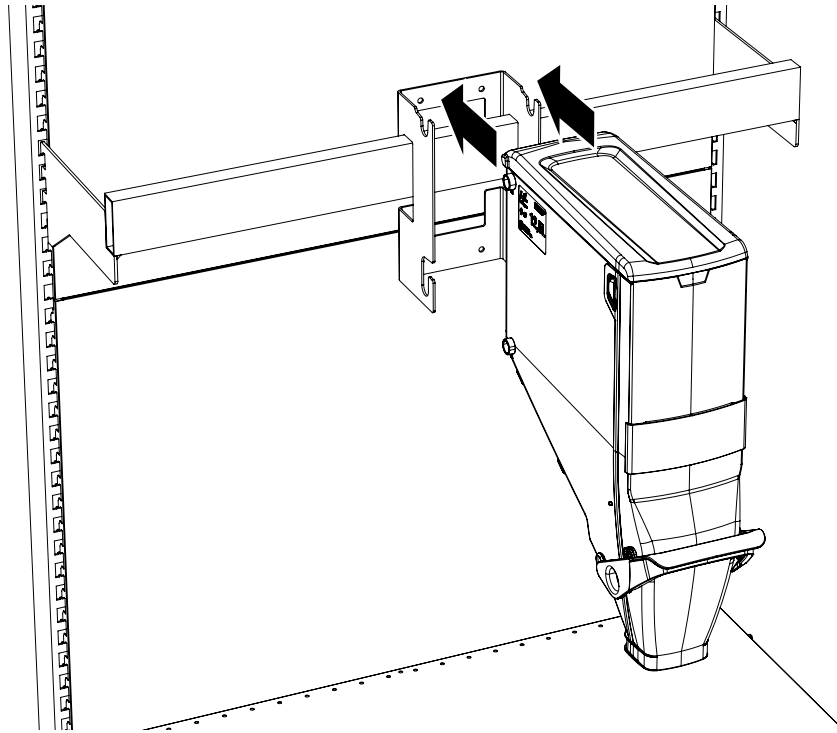


4

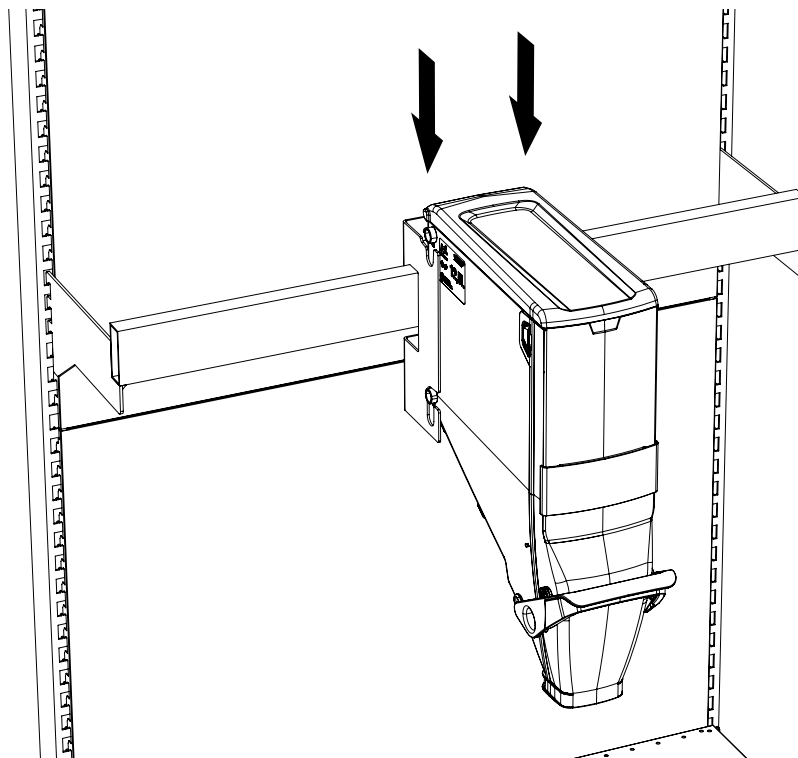


4eBin™ Gravity bin – On crossbar with holder

5

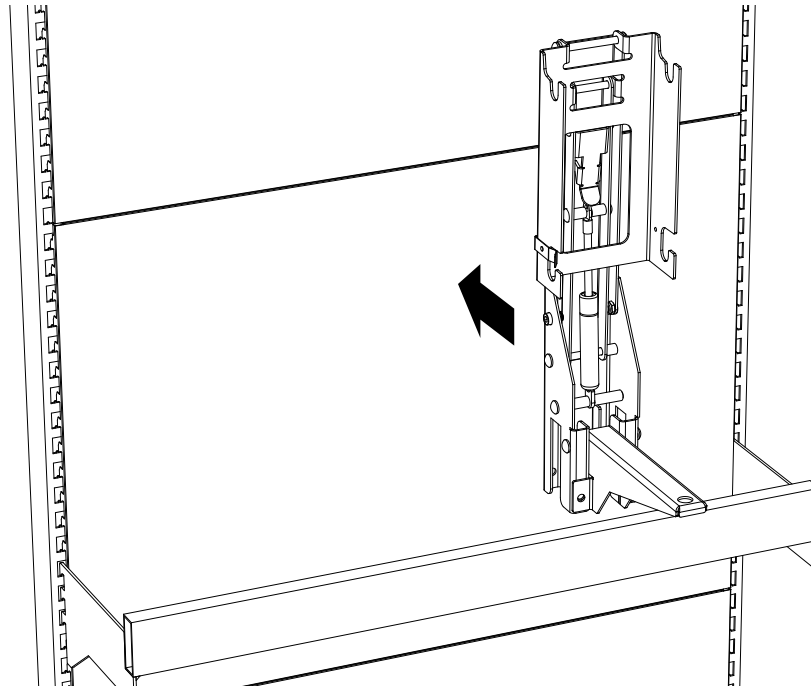


6

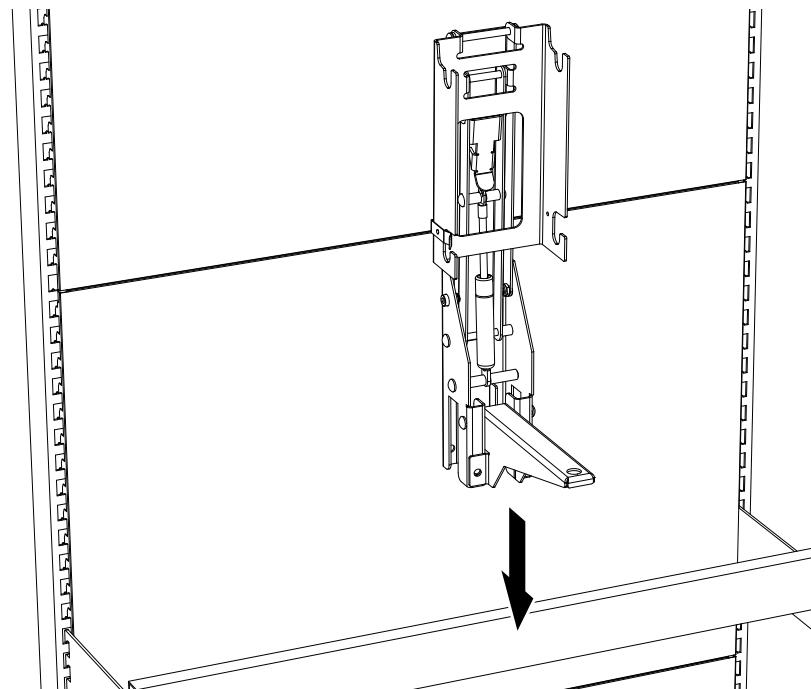


4eBin™ Gravity bin – On crossbar with swing down arms

- 1** Place swing down arm (SDA) onto cross bar

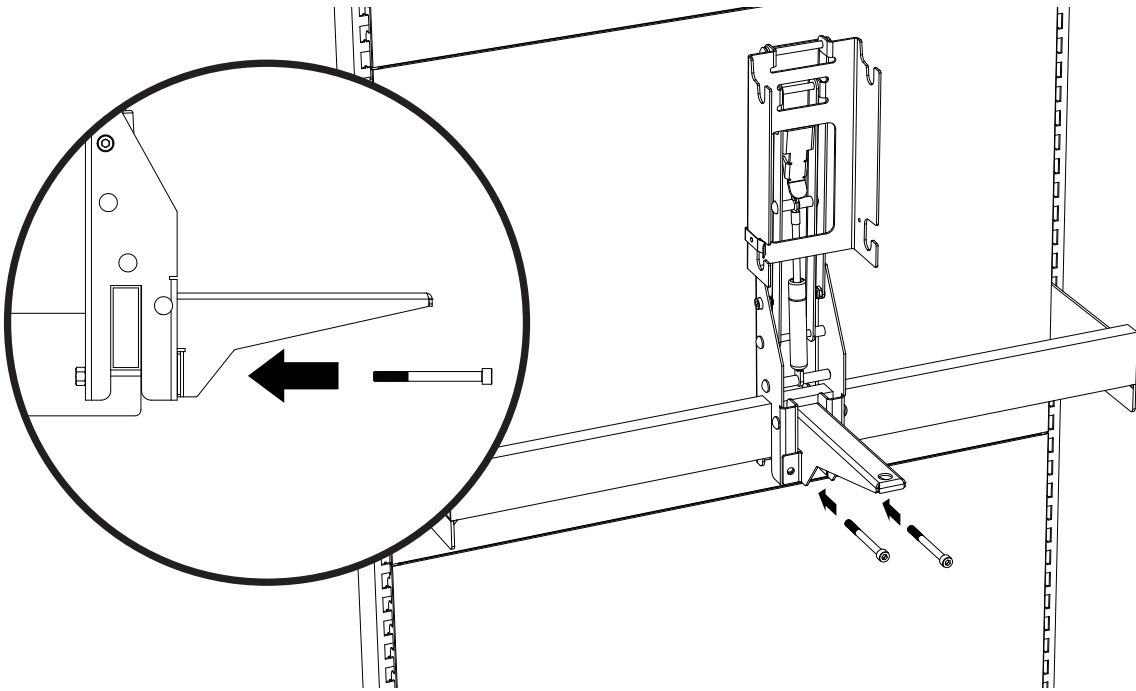


- 2** SDA drops down and sits over the cross bar

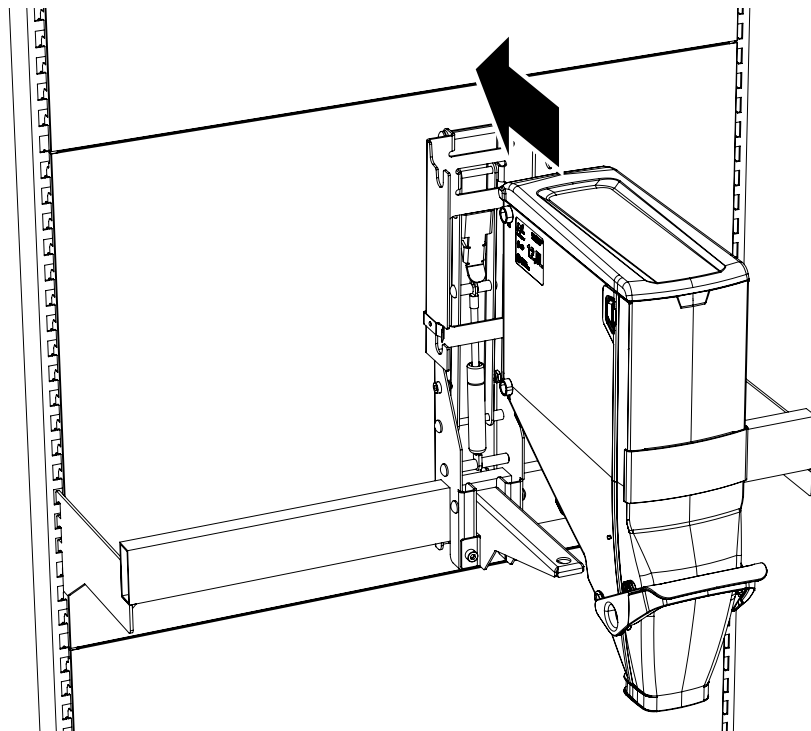


4eBin™ Gravity bin – On crossbar with swing down arms

3 Fix the 2 bolts to secure SDA onto cross bar

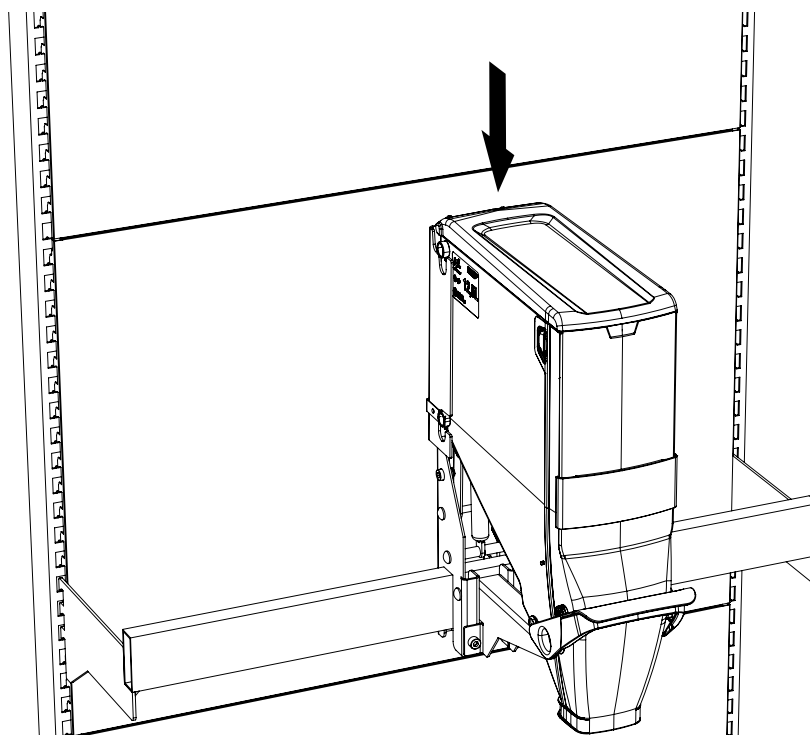


4



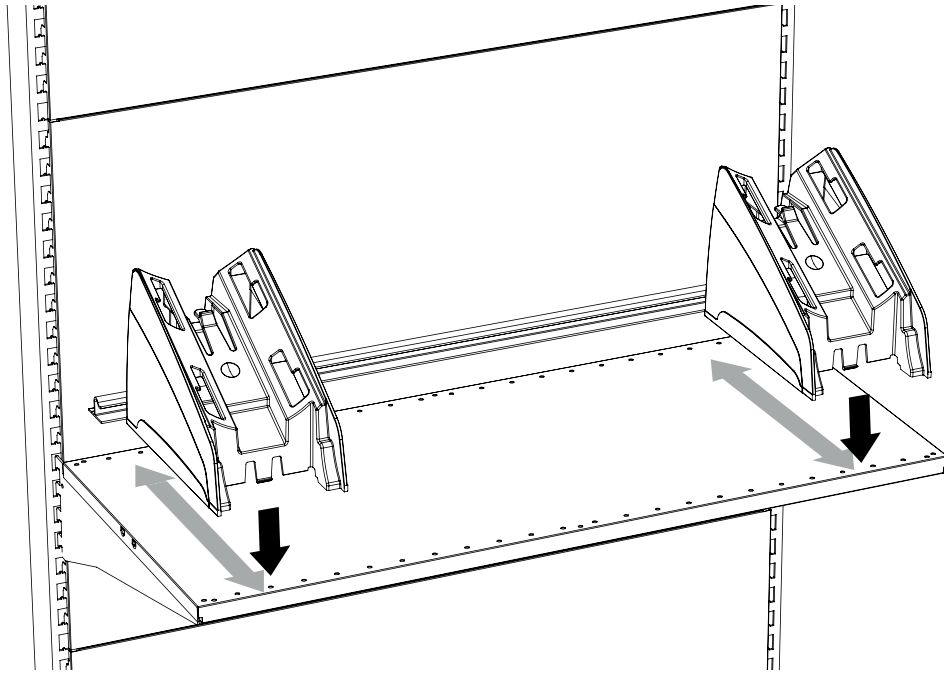
4eBin™ Gravity bin – On crossbar with swing down arms

5

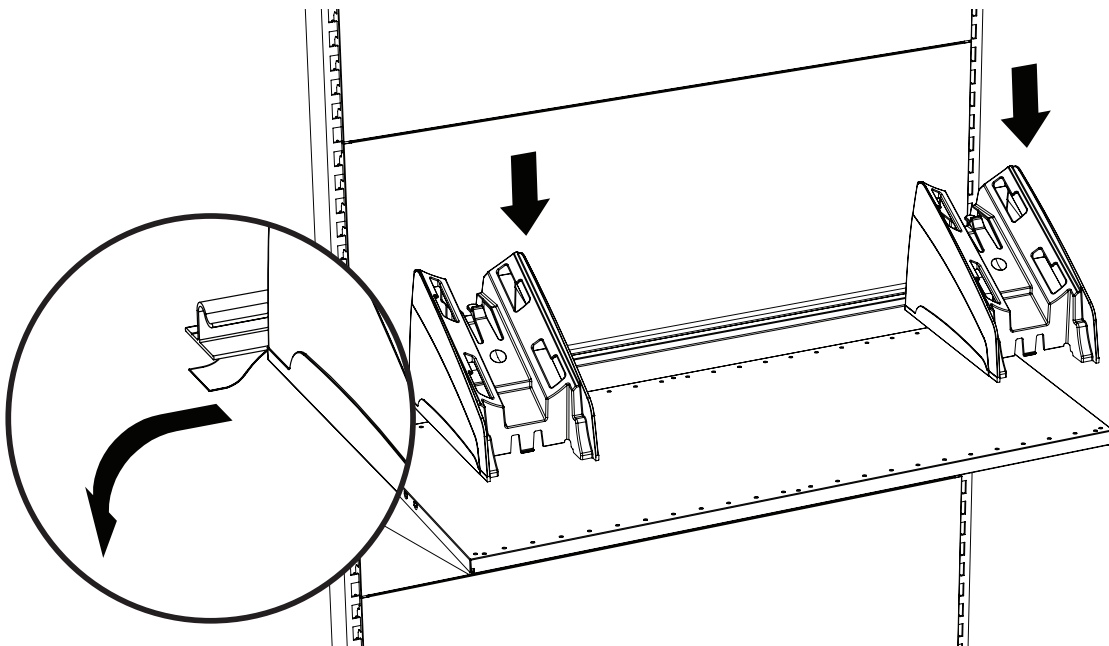


4eBin™ Gravity bin – On a shelf with a mounting fot

- 1** Insert two (2) Bin Feet into the profile, and align the front of the foot with the front of the shelf.

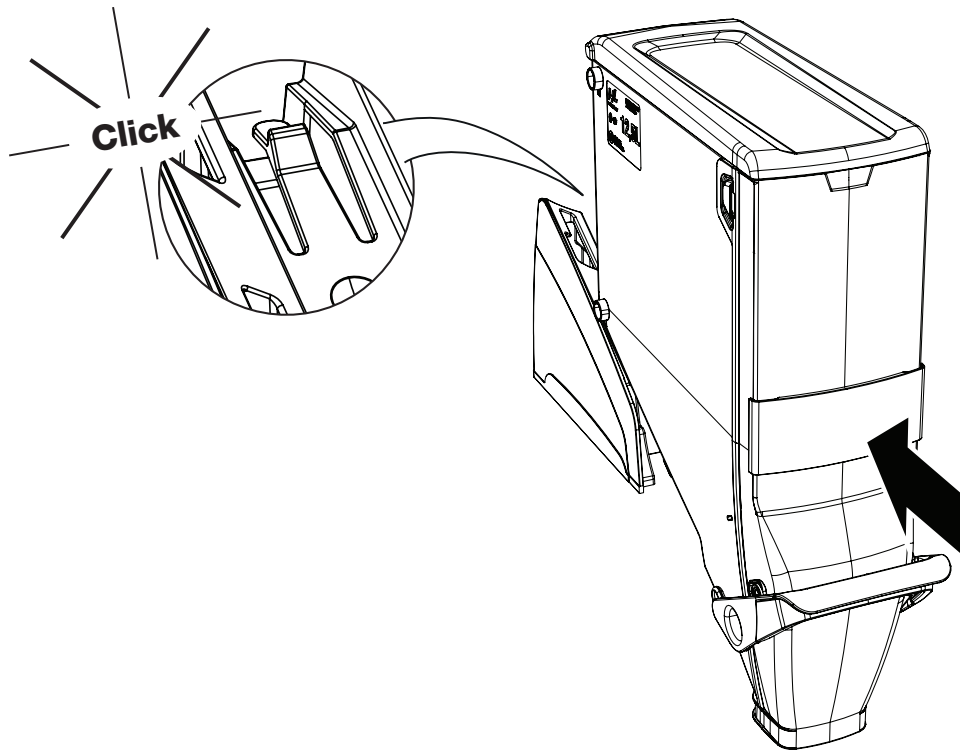


- 2** Once the correct depth has been determined, remove the tape and fix the profile to the shelf

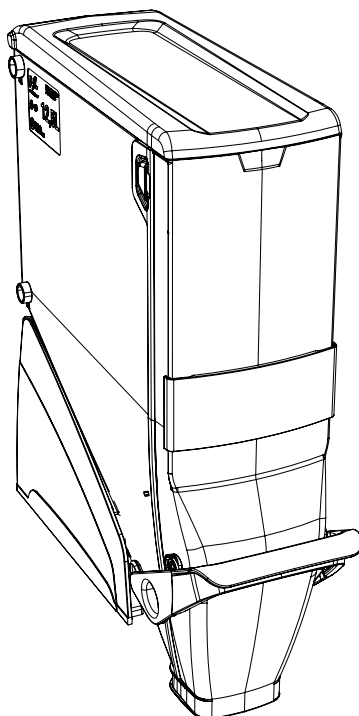


4eBin™ Gravity bin – On a shelf with a mounting fot

- 3** Insert the Gravity Bin in into the Bin Foot before attaching it to the profile

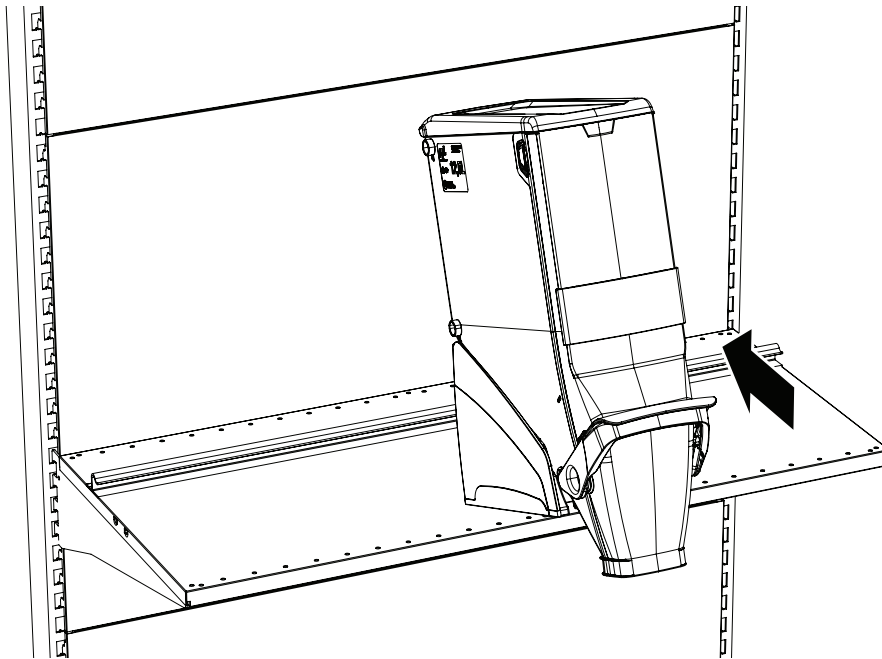


- 4** Make sure the Bin is securely fixed to the Foot



4eBin™ Gravity bin – On a shelf with a mounting fot

5 Insert the Bin Foot into the profile.



6 Repeat the same action until all Gravity Bins are in place.

