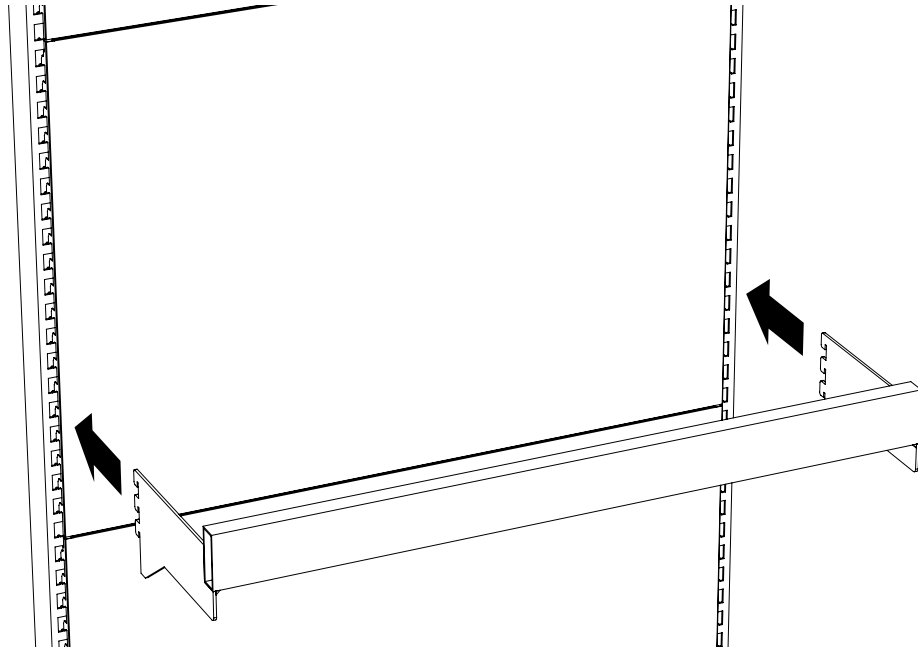


FlowBin

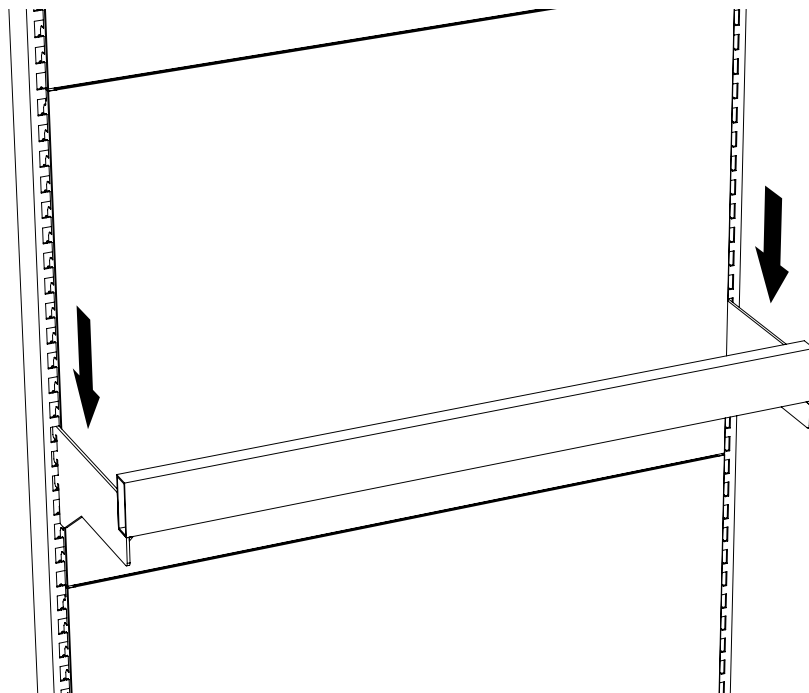
Mounting instruction

FlowBin – On crossbar

- 1** Mount crossbar into uprights

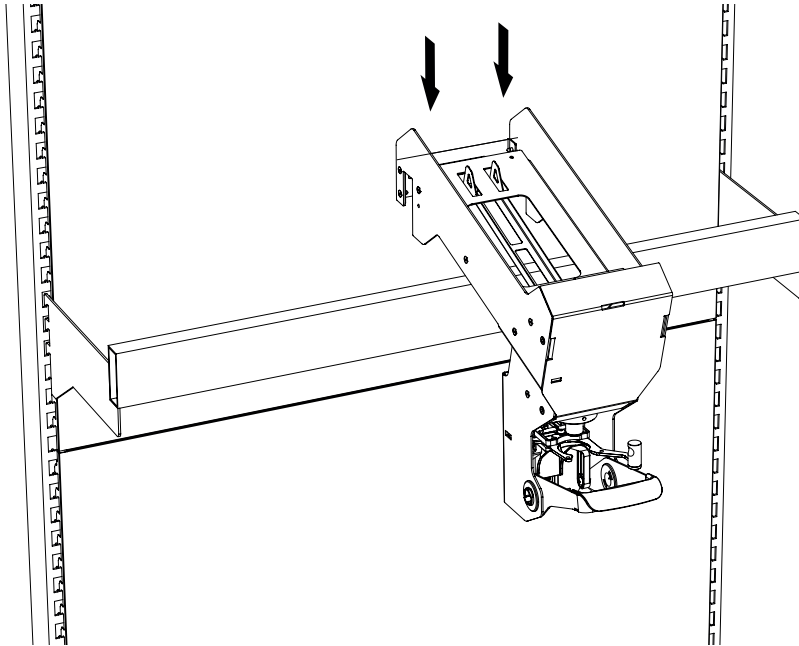


- 2** Push down to ensure that crossbar is securely fixed

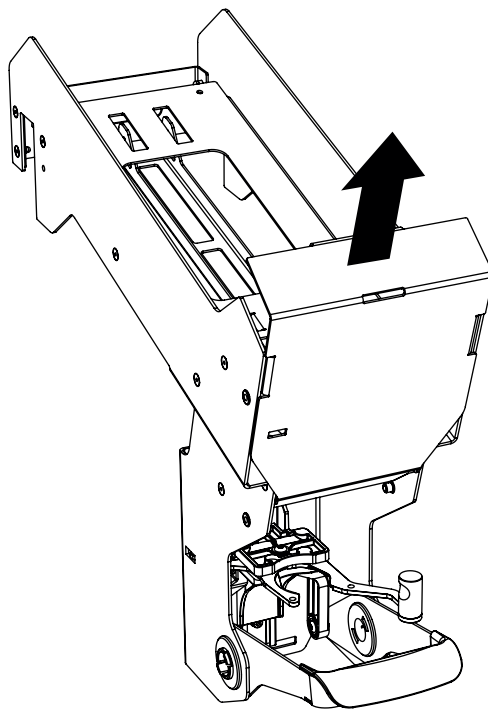


FlowBin – On crossbar

3 Place the metal bin on the crossbar

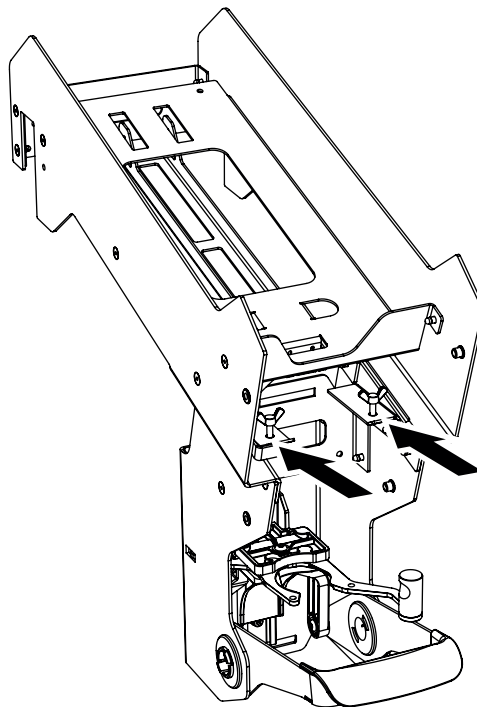


4 Pull up front

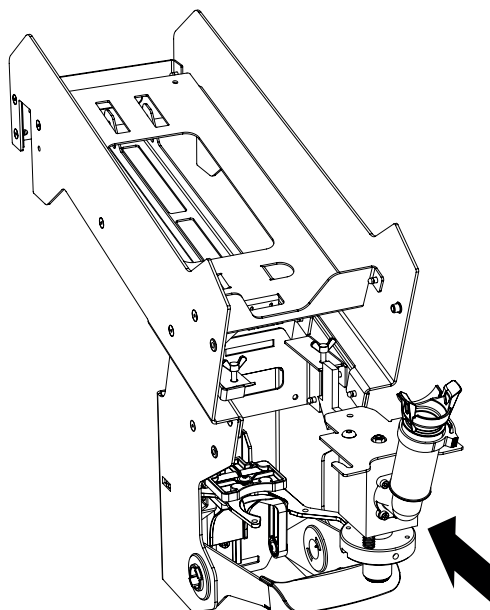


FlowBin – On crossbar

5 Loosen wing nuts

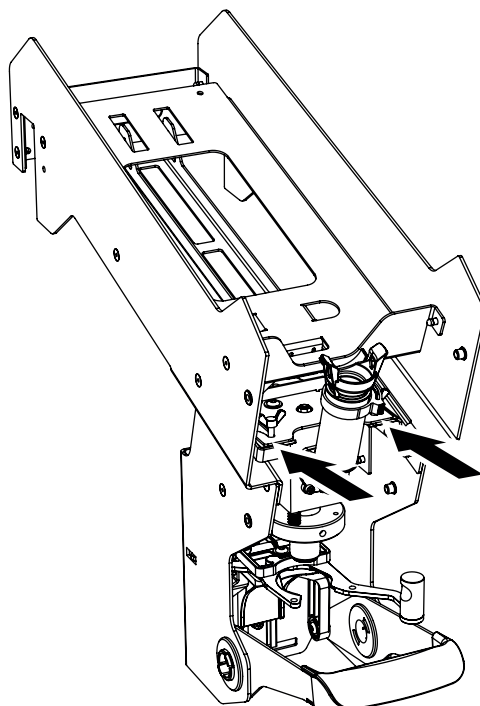


6 Insert hydraulic block

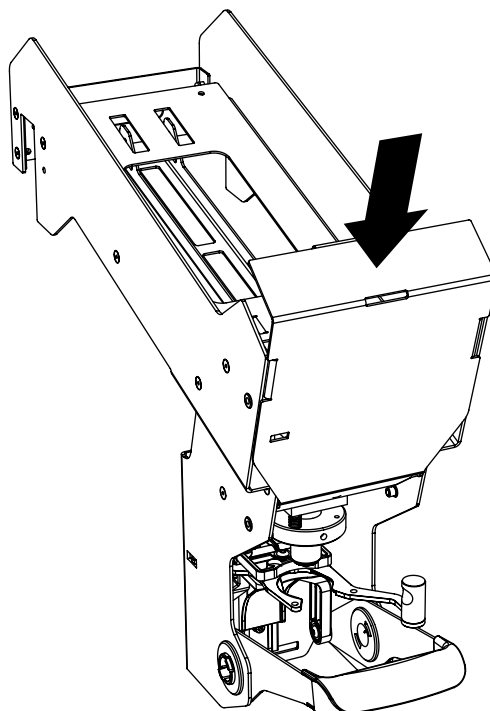


FlowBin – On crossbar

5 Tighten wing nuts

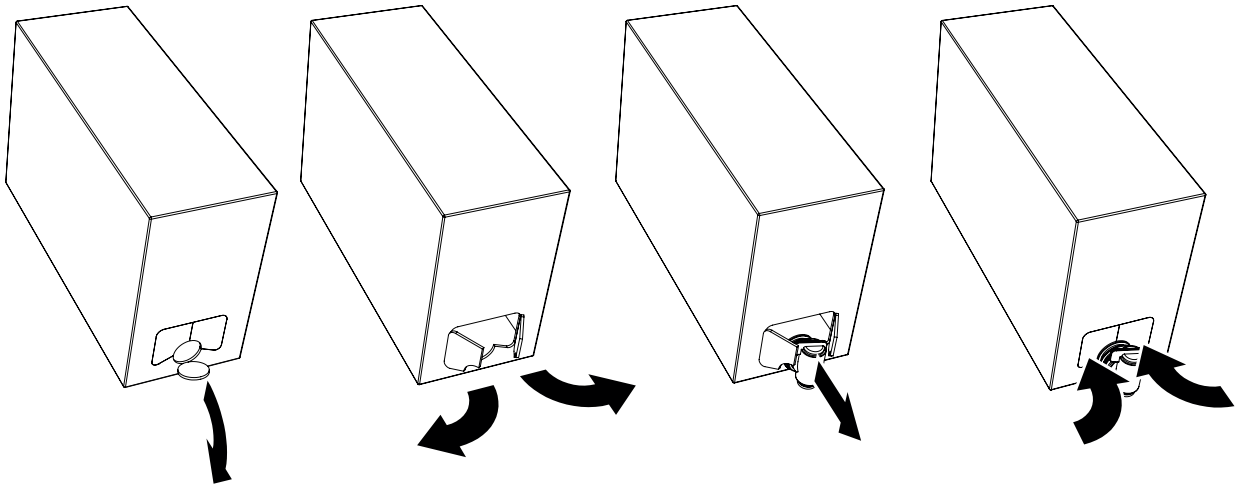


6 Re-attach front

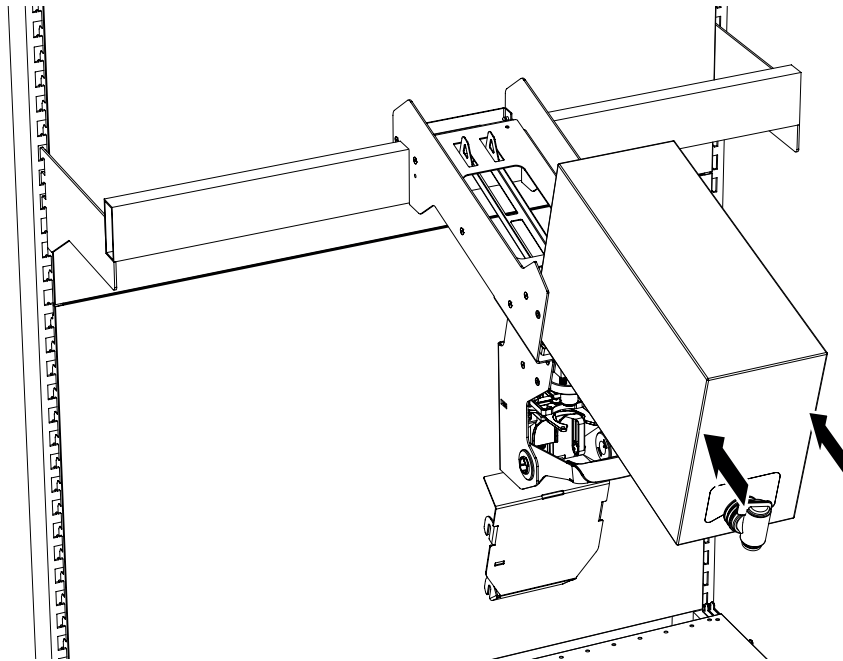


FlowBin – Insert the box

1 Prepare the box

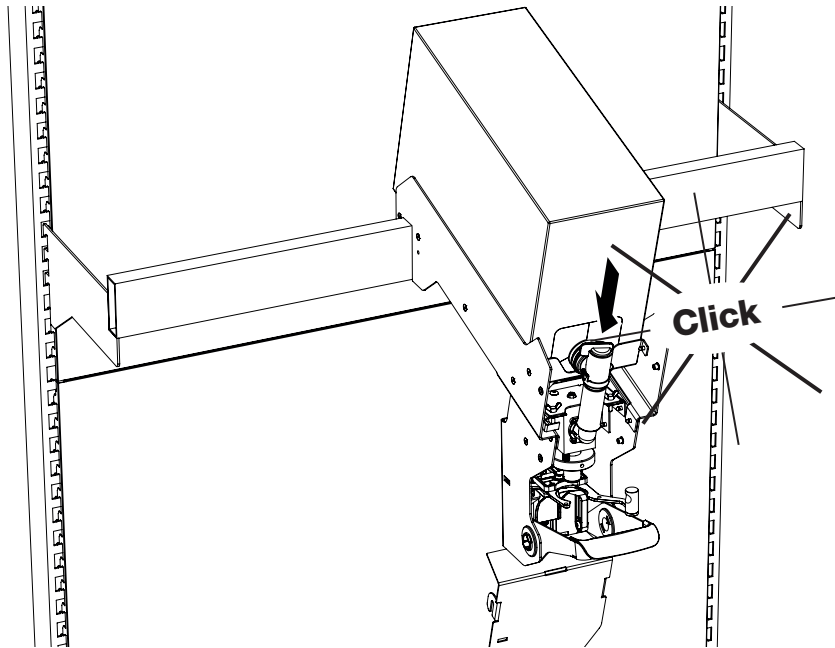


2 Insert the box

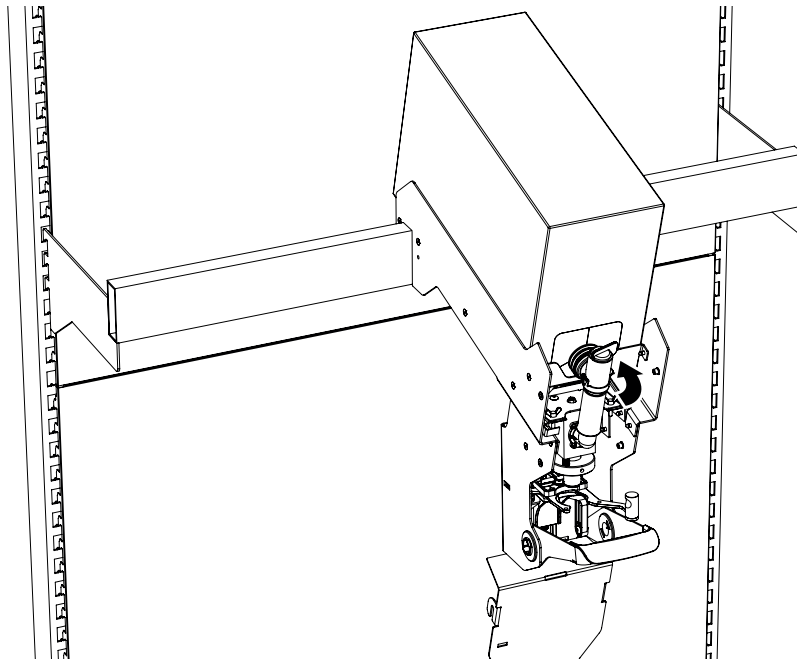


FlowBin – Insert the box

3 Attach MAXIFLOW to connector tube

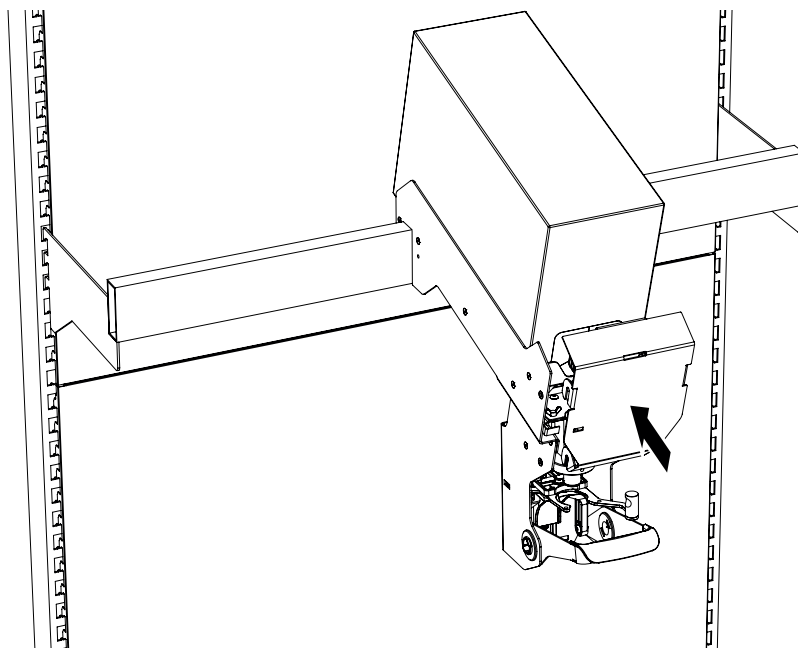


4 Open MAXIFLOW

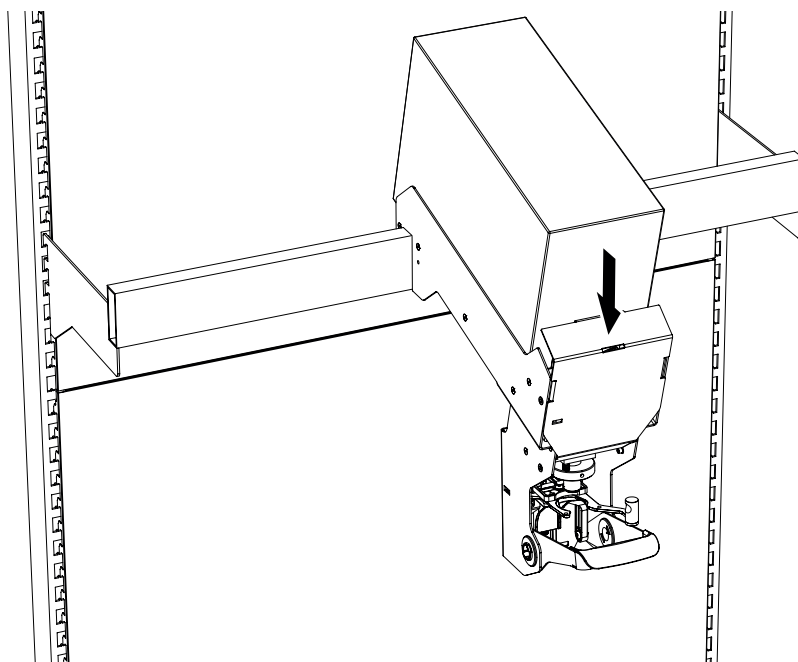


FlowBin – Insert the box

5 Re-attach front

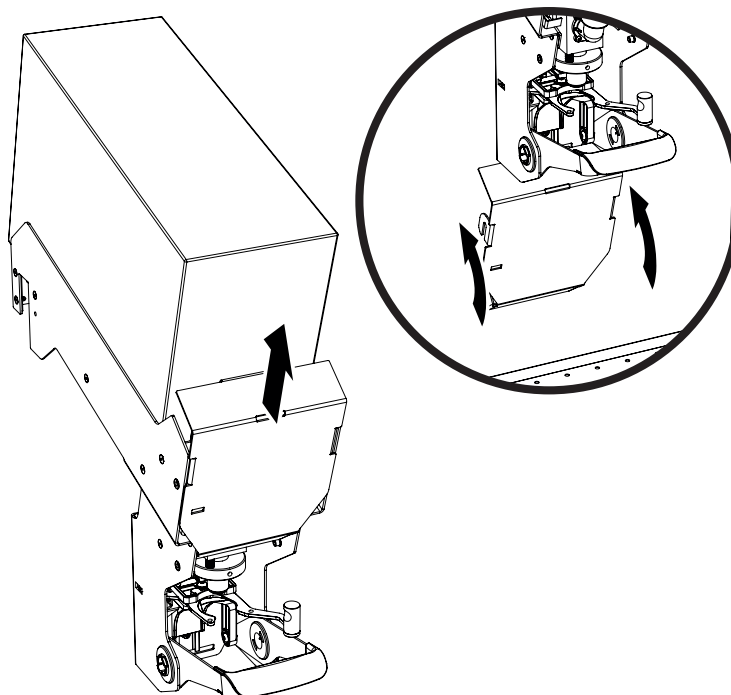


6 Push down front

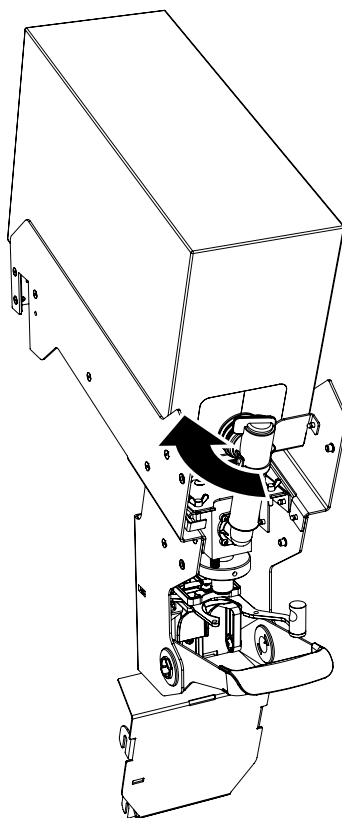


FlowBin – Remove the box

- 1** Pull up the front and hang it on the bottom hook

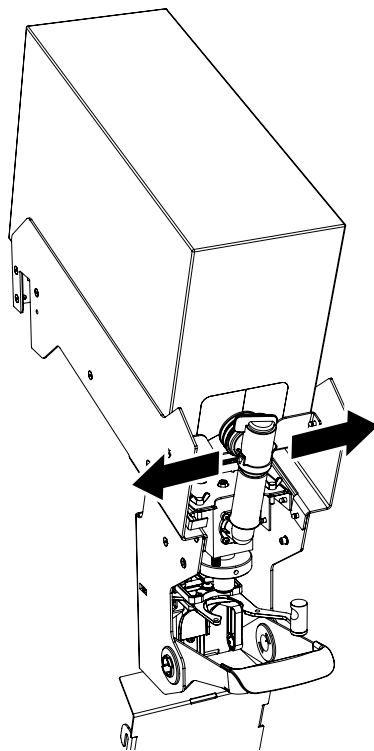


- 2** Close the MAXIFLOW

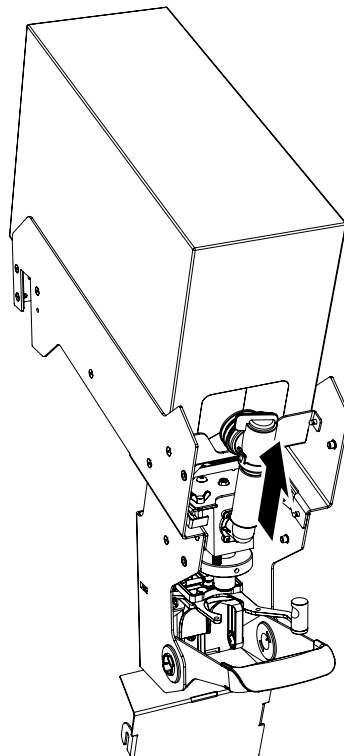


FlowBin – Remove the box

3 Release MAXIFLOW from connector

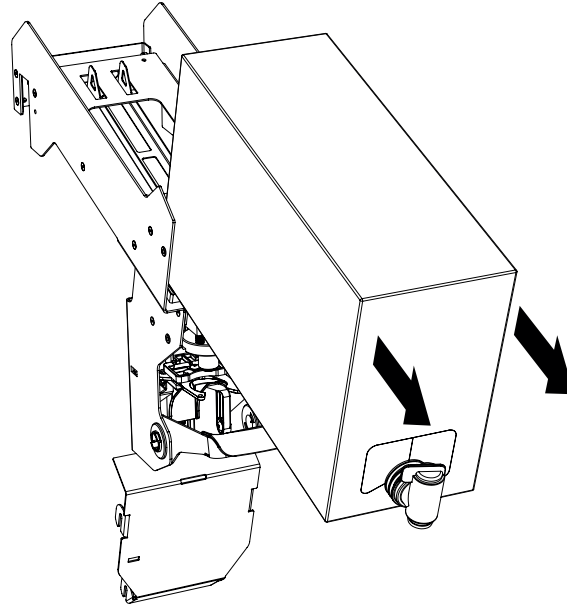


4



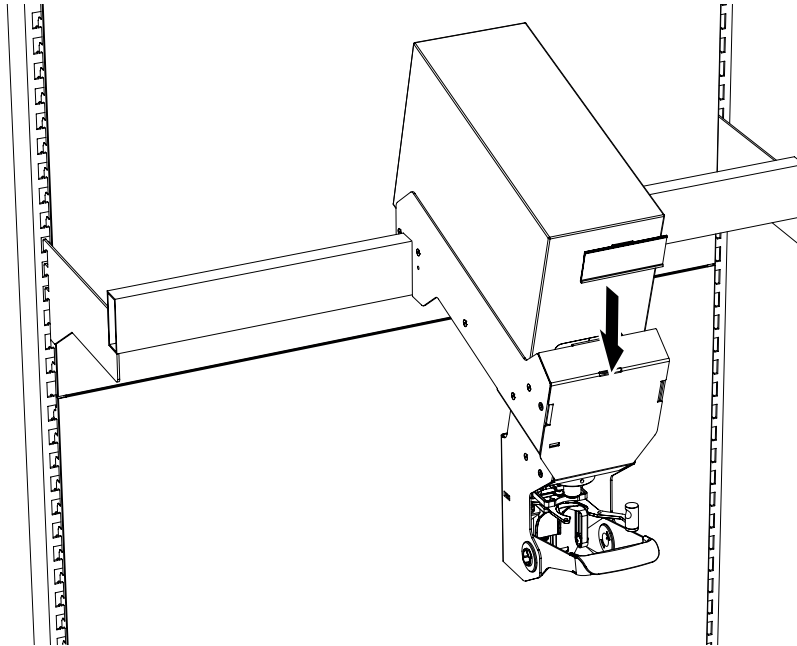
FlowBin – Remove the box

5 Remove the box

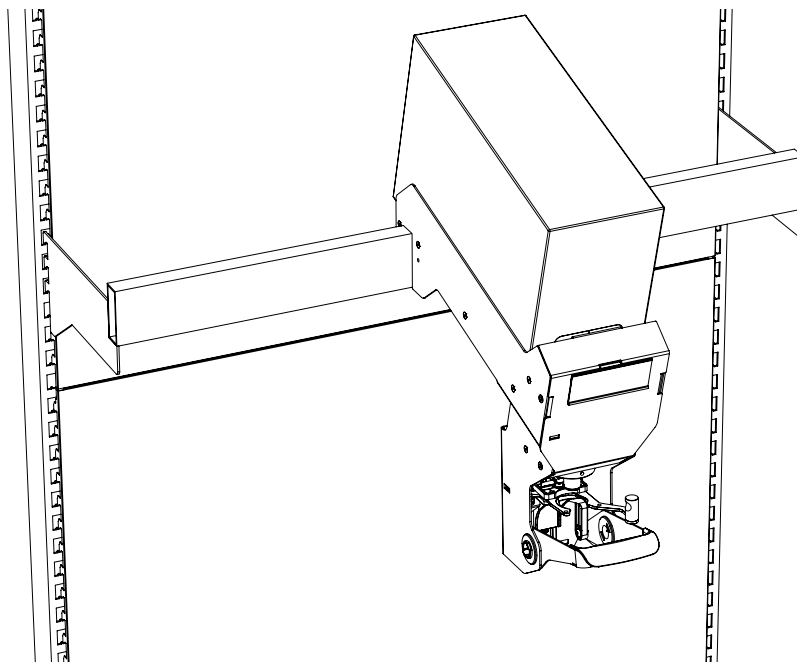


FlowBin – Sign holder

1 Mounting sign holder

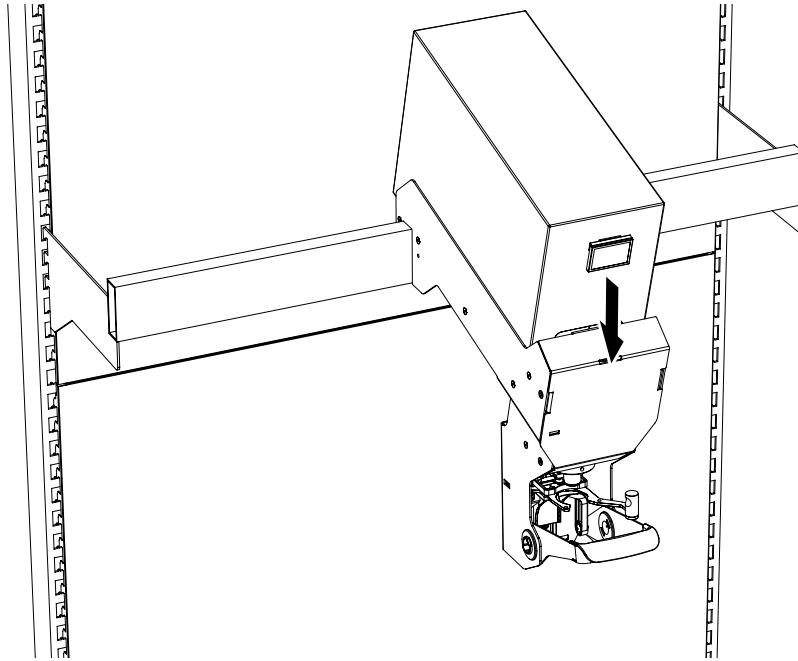


2



FlowBin – ESL

1 Mounting ESL



2

