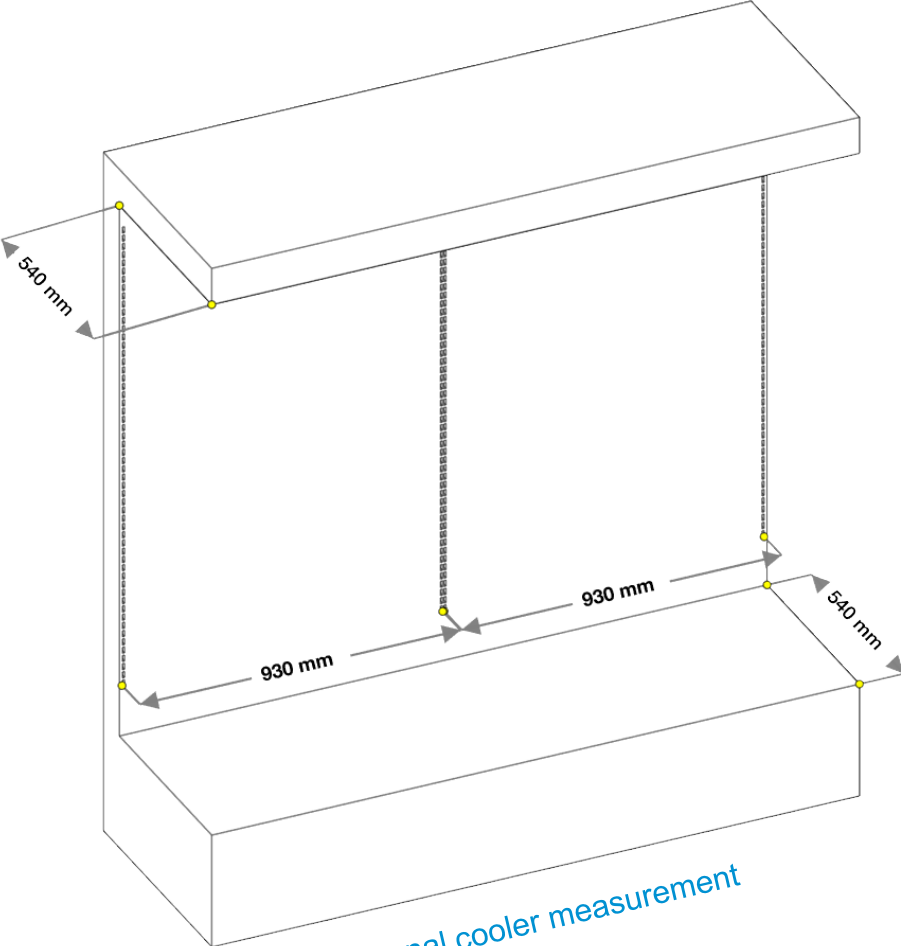




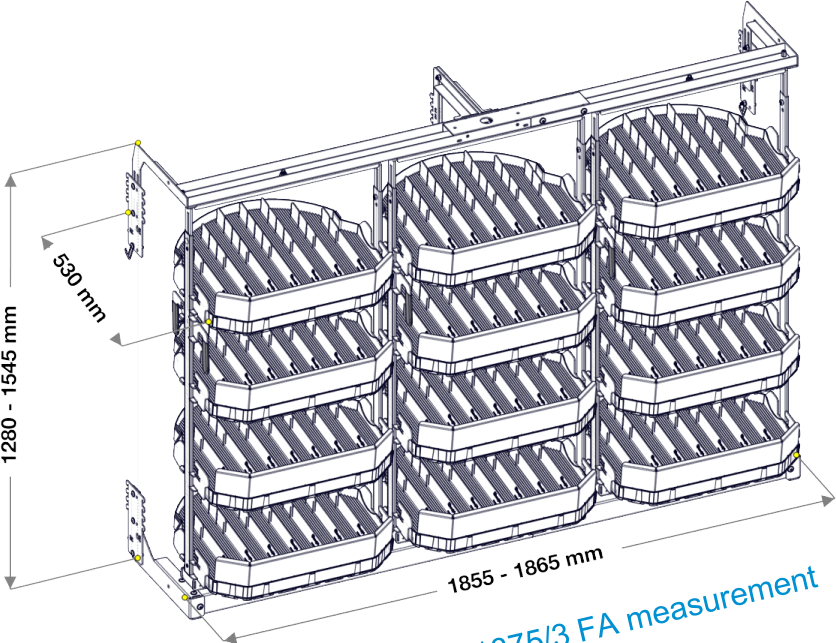
Installation manual for Rotoshelf 1875/3

Version 2.0 - Issued 2020, March

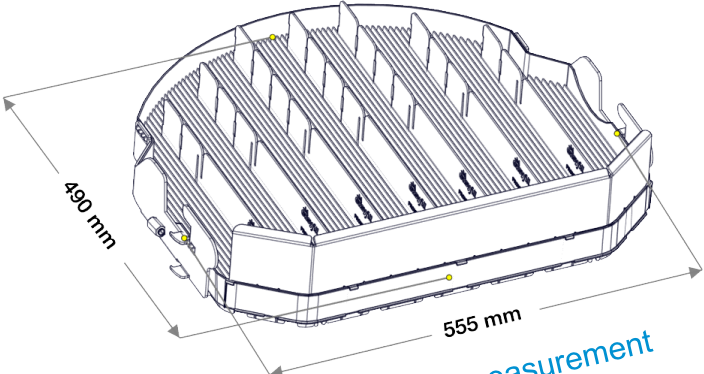
Critical dimensions



internal cooler measurement



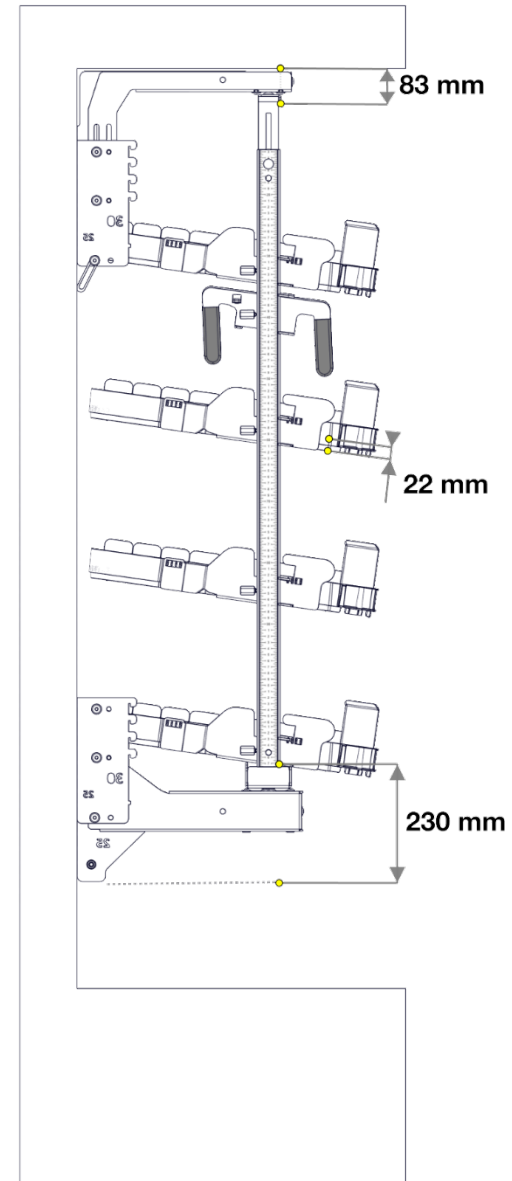
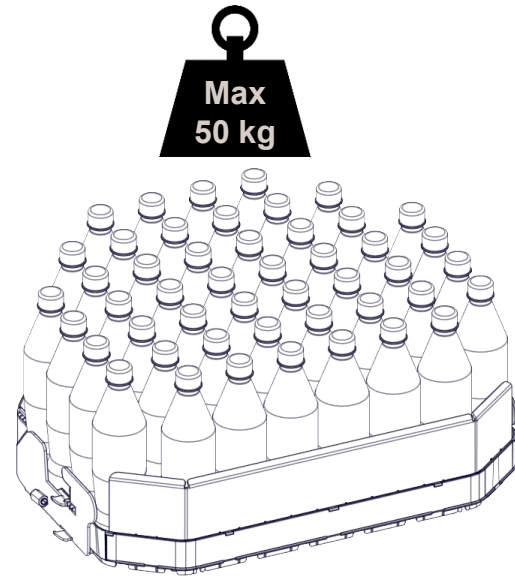
external RS MD 1875/3 FA measurement



internal shelf measurement
shelf universal 70



Weight limit per shelf



RS MD 1875/3 FA measurement

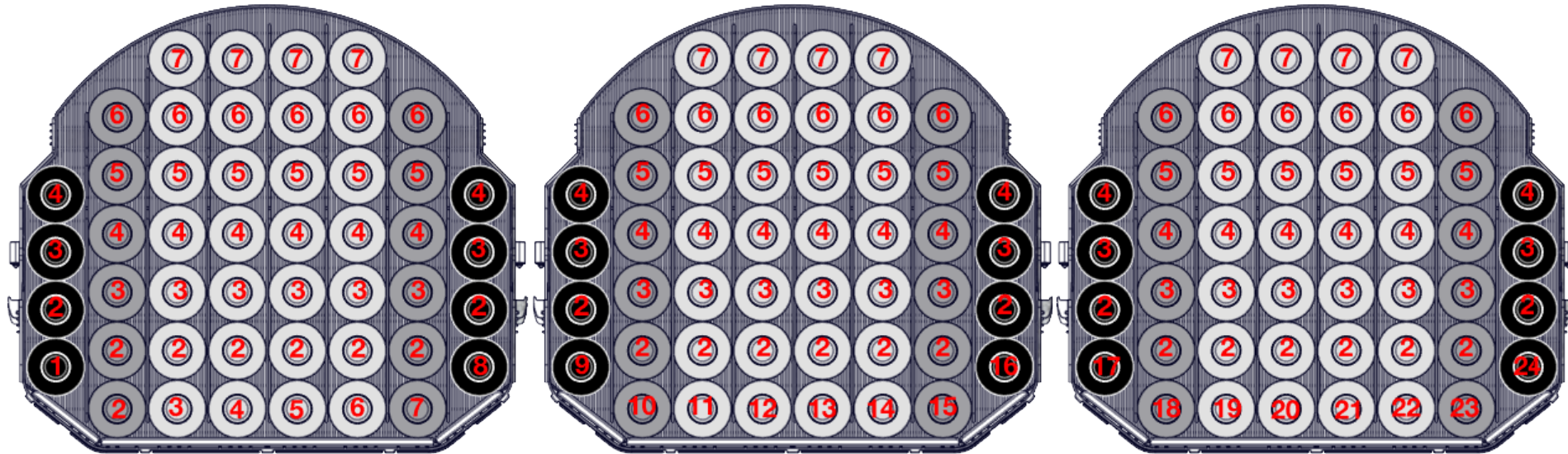


Shelf capacity

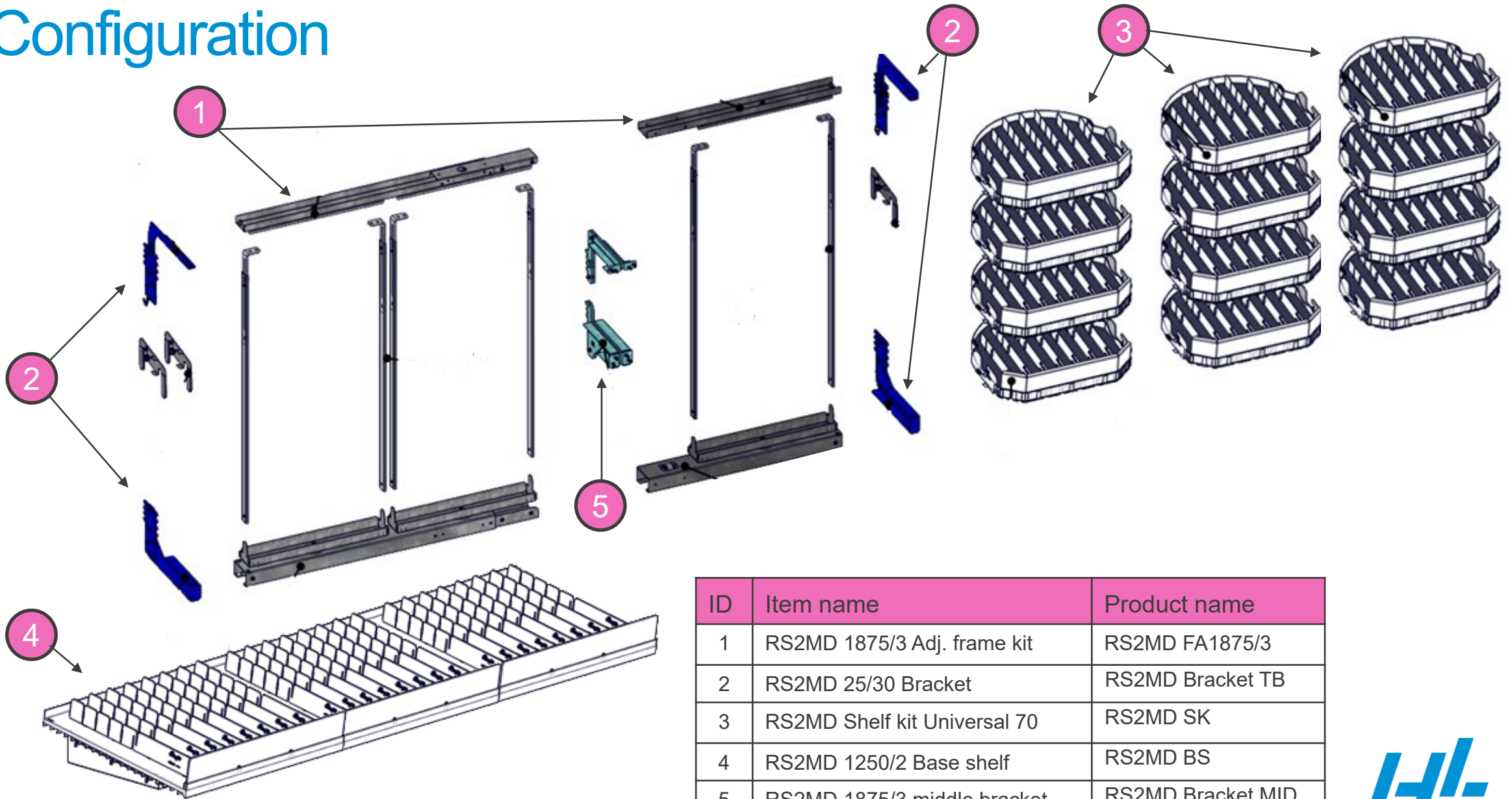


- 500 ml PET
- Ø 65 mm
- 0,48 m²

Faces	Depth	Total
6	4	24
6	6	36
12	7	84
Capacity		144



Configuration



ID	Item name	Product name
1	RS2MD 1875/3 Adj. frame kit	RS2MD FA1875/3
2	RS2MD 25/30 Bracket	RS2MD Bracket TB
3	RS2MD Shelf kit Universal 70	RS2MD SK
4	RS2MD 1250/2 Base shelf	RS2MD BS
5	RS2MD 1875/3 middle bracket	RS2MD Bracket MID



RS2MD FA1875

Pack list

ID	Item name	Product name
1	RS2MD 1875/3 Adj. frame kit	RS2MD FA1875/3
2	RS2MD 25/30 Bracket	RS2MD Bracket TB
3	RS2MD Shelf kit Universal 70	RS2MD SK
4	RS2MD 1250/2 Base shelf	RS2MD BS
5	RS2MD 1875/3 middle bracket	RS2MD Bracket MID

1 Frame packed as following sub-assemblies

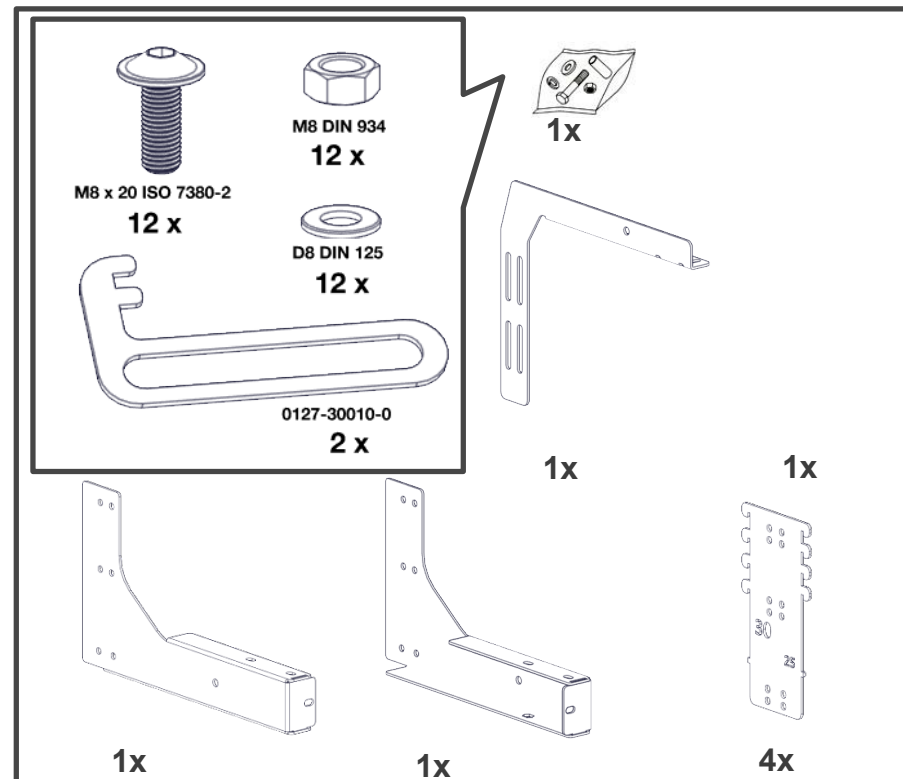
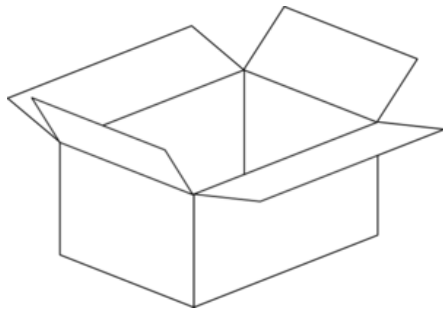


RS2MD Bracket TB

Pack list

ID	Item name	Product name
1	RS2MD 1875/3 Adj. frame kit	RS2MD FA1875/3
2	RS2MD 25/30 Bracket	RS2MD Bracket TB
3	RS2MD Shelf kit Universal 70	RS2MD SK
4	RS2MD 1250/2 Base shelf	RS2MD BS
5	RS2MD 1875/3 middle bracket	RS2MD Bracket MID

2 Top and bottom brackets are reversible and come in two configurations: 25/30 and 25/32

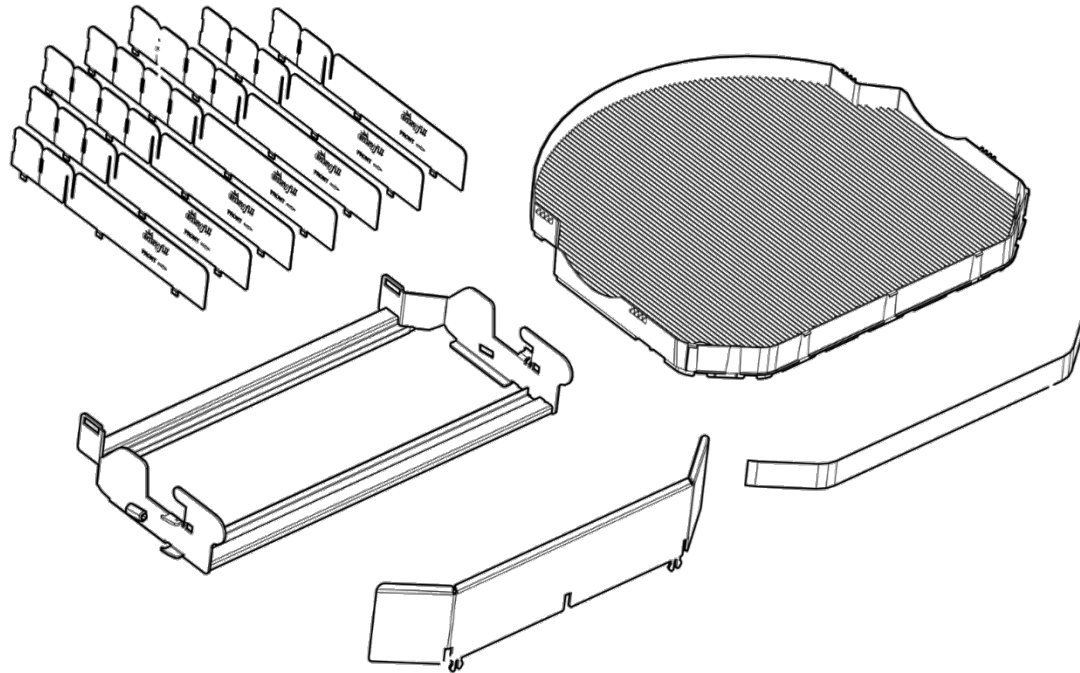


RS2MD SK

Shelf kit universal 70

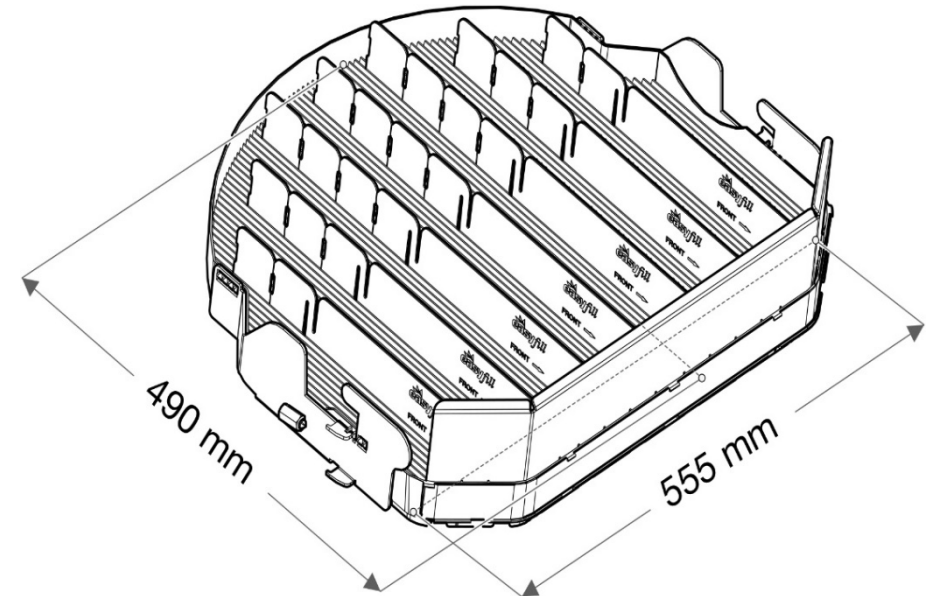
464907

3



Assembled shelf

ID	Item name	Product name
1	RS2MD 1875/3 Adj. frame kit	RS2MD FA1875/3
2	RS2MD 25/30 Bracket	RS2MD Bracket TB
3	RS2MD Shelf kit Universal 70	RS2MD SK
4	RS2MD 1250/2 Base shelf	RS2MD BS
5	RS2MD 1875/3 middle bracket	RS2MD Bracket MID

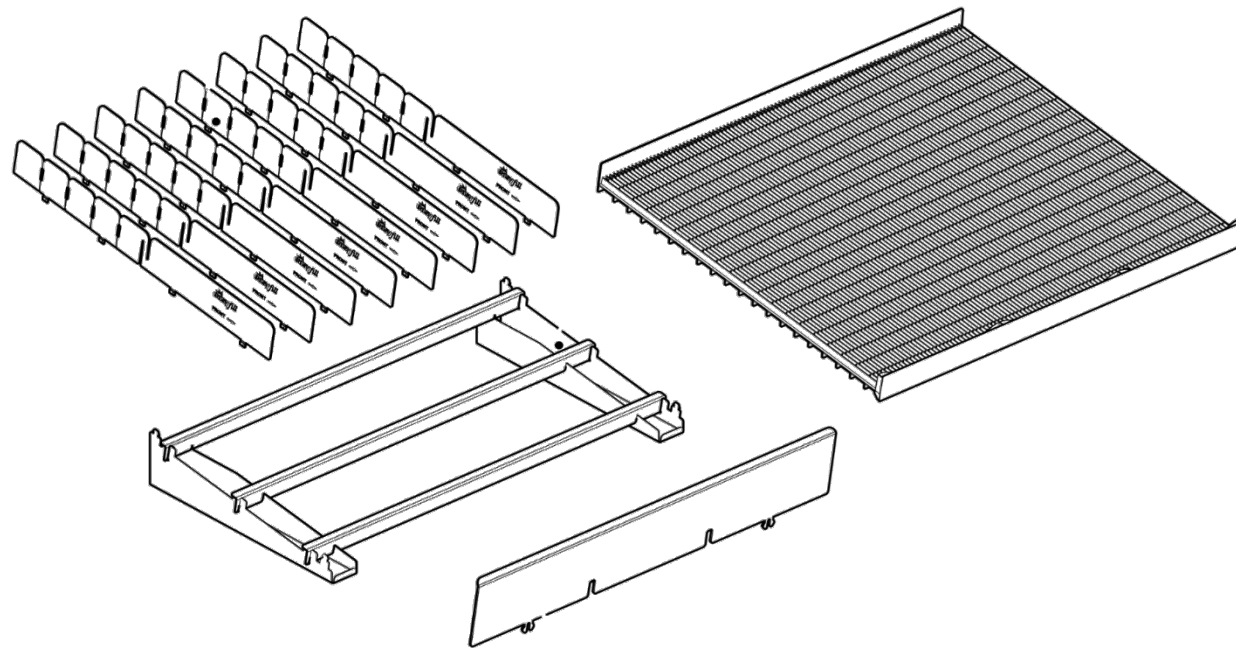


RS2MD BS

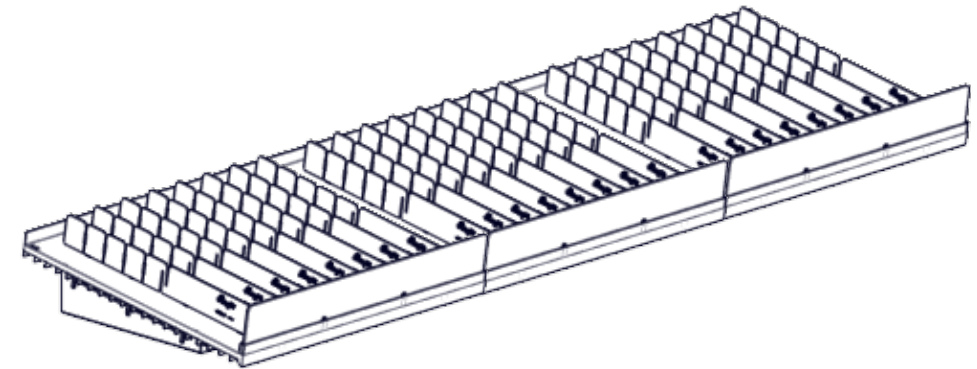
Base shelf 1250/2

465025

4



ID	Item name	Product name
1	RS2MD 1875/3 Adj. frame kit	RS2MD FA1875/3
2	RS2MD 25/30 Bracket	RS2MD Bracket TB
3	RS2MD Shelf kit Universal 70	RS2MD SK
4	RS2MD 1250/2 Base shelf	RS2MD BS
5	RS2MD 1875/3 middle bracket	RS2MD Bracket MID



Assembled base
Three sub-assemblies

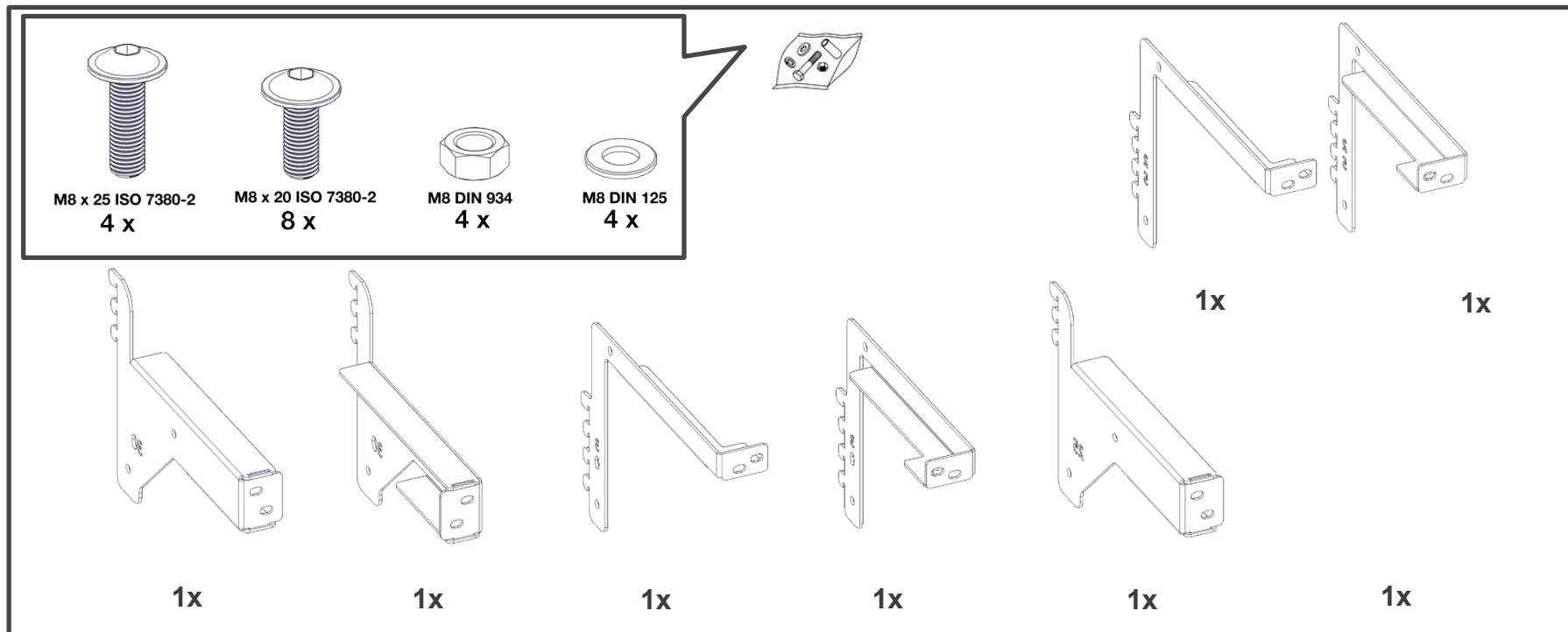
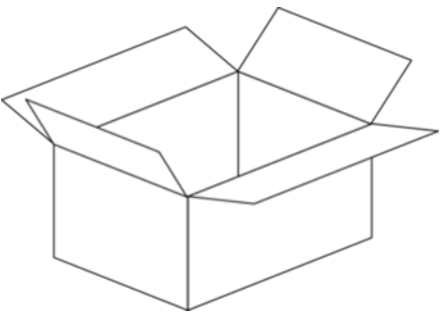


RS2MD bracket MID

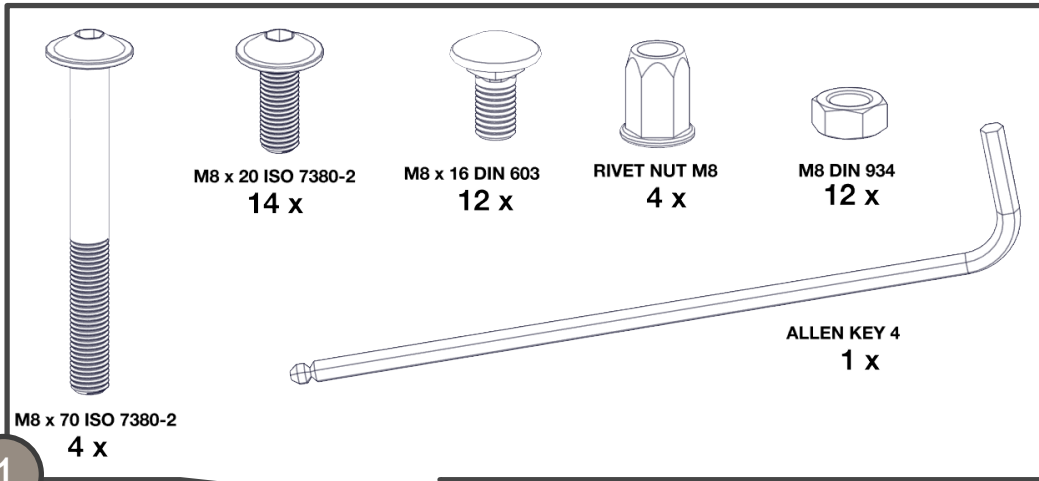
Pack list

ID	Item name	Product name
1	RS2MD 1875/3 Adj. frame kit	RS2MD FA1875/3
2	RS2MD 25/30 Bracket	RS2MD Bracket TB
3	RS2MD Shelf kit Universal 70	RS2MD SK
4	RS2MD 1250/2 Base shelf	RS2MD BS
5	RS2MD 1875/3 middle bracket	RS2MD Bracket MID

5 Middle brackets are reversible and come in two configurations: 25/30 and 25/32

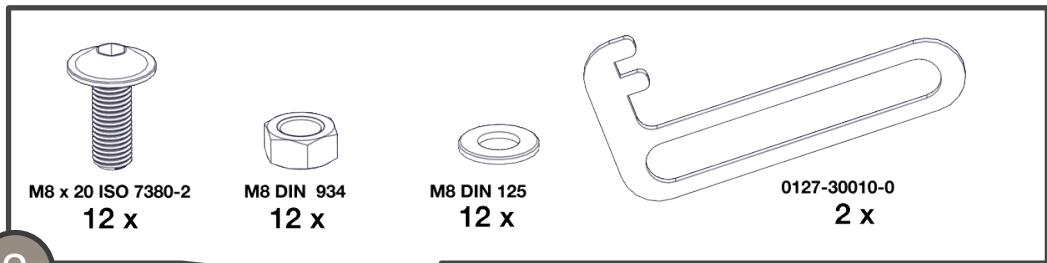


Fittings (included)



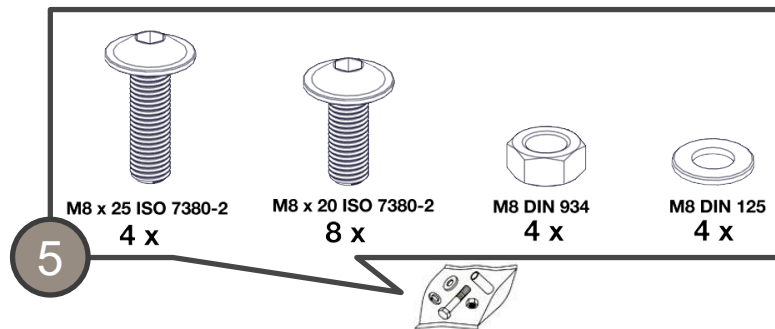
1

Included with frame kit



2

Included with TB brackets



5

Included with middle brackets



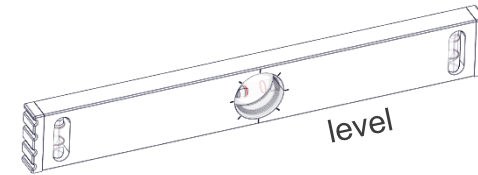
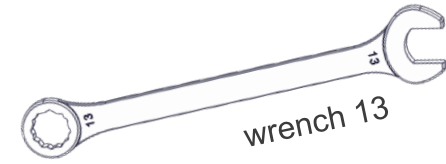
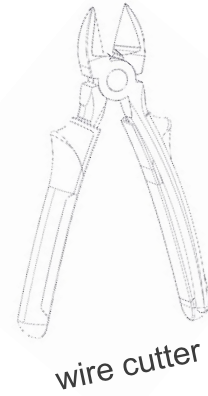
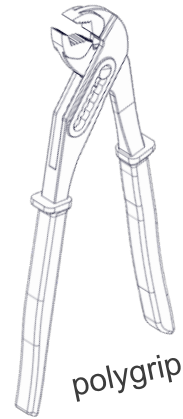
ID	Item name	Product name
1	RS2MD 1875/3 Adj. frame kit	RS2MD FA1875/3
2	RS2MD 25/30 Bracket	RS2MD Bracket TB
3	RS2MD Shelf kit Universal 70	RS2MD SK
4	RS2MD 1250/2 Base shelf	RS2MD BS
5	RS2MD 1875/3 middle bracket	RS2MD Bracket MID



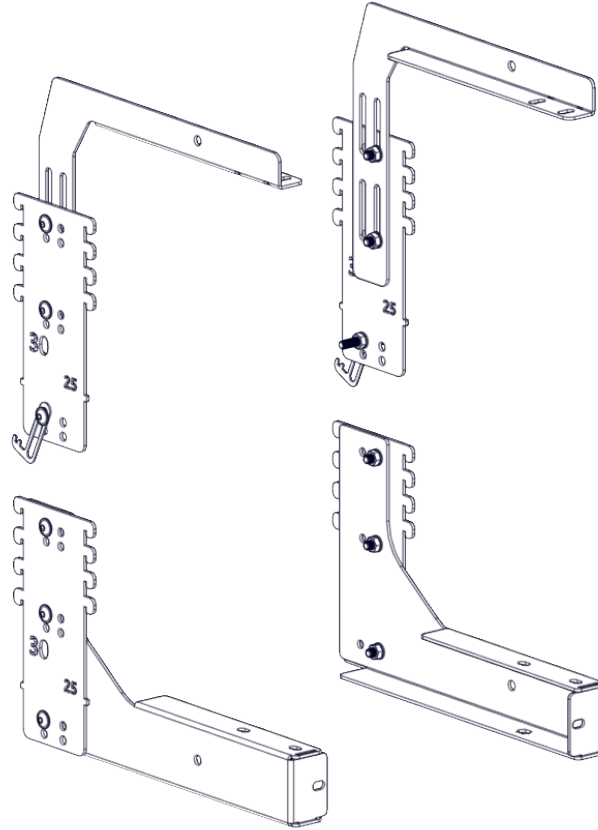
Start the assemble



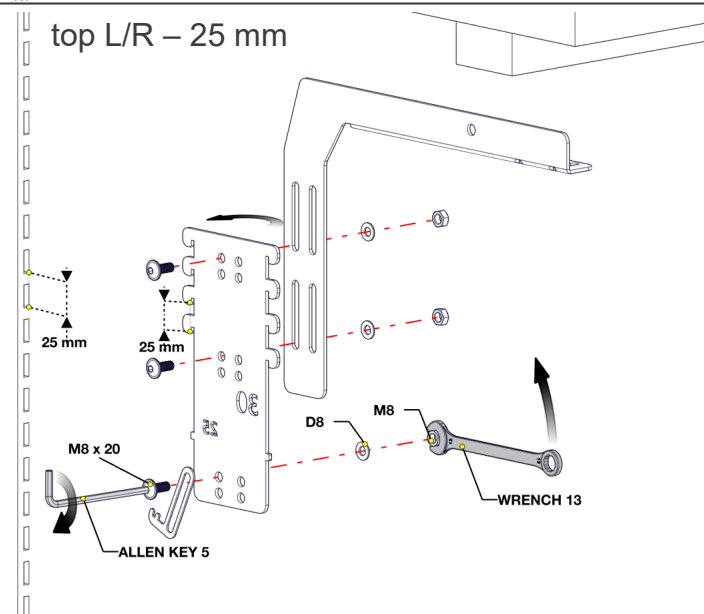
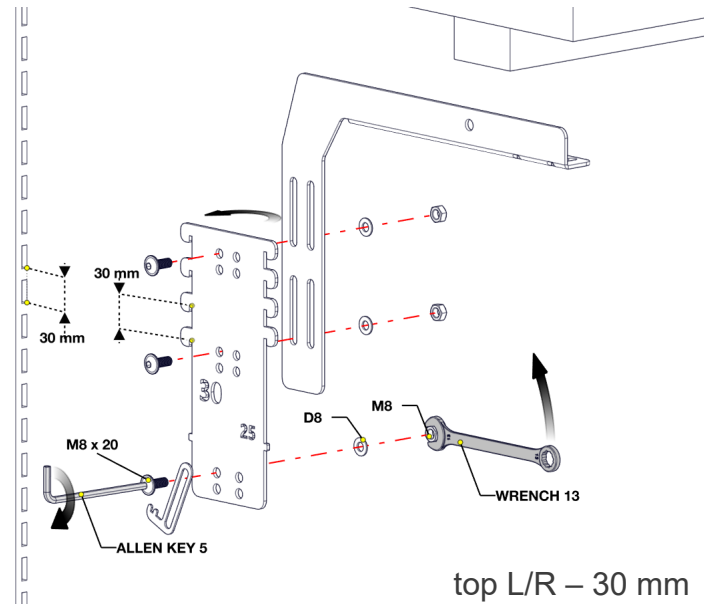
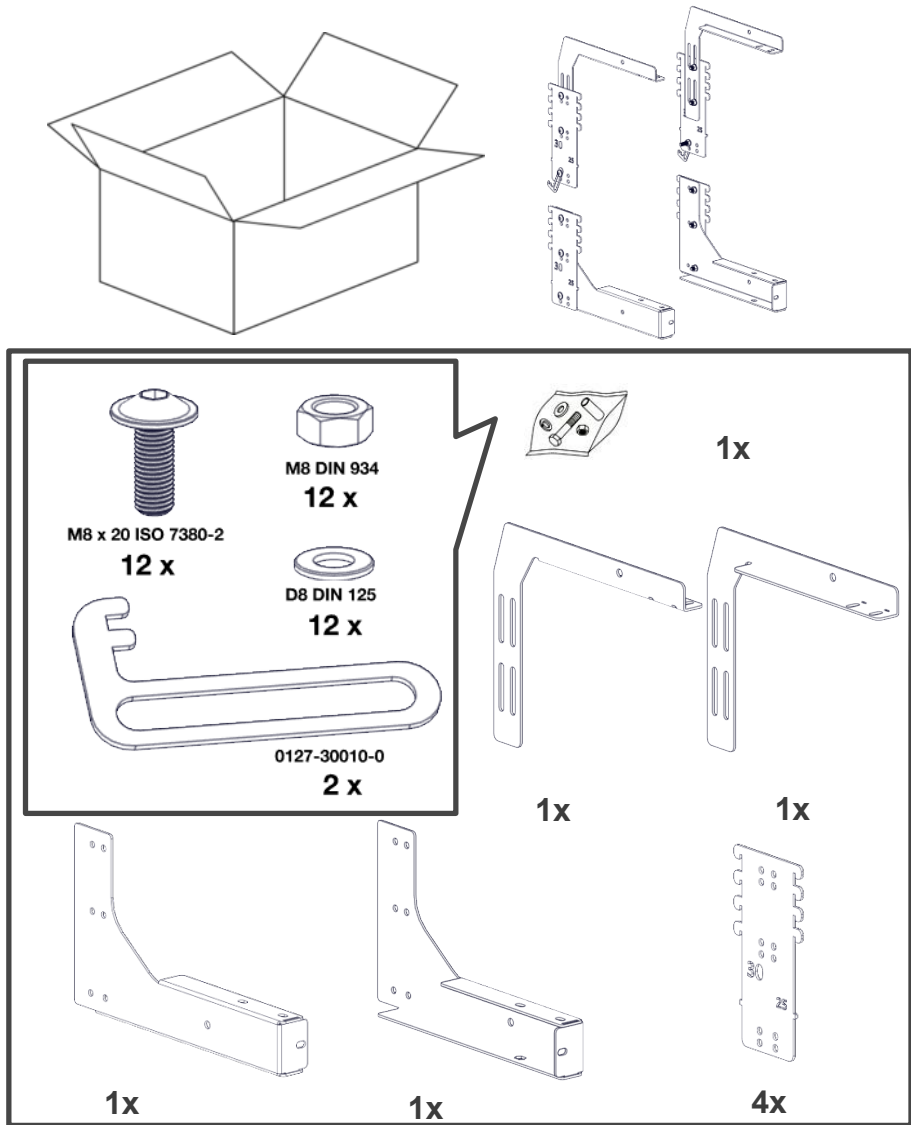
Additional Tools needed for installation



Top and bottom brackets assembly

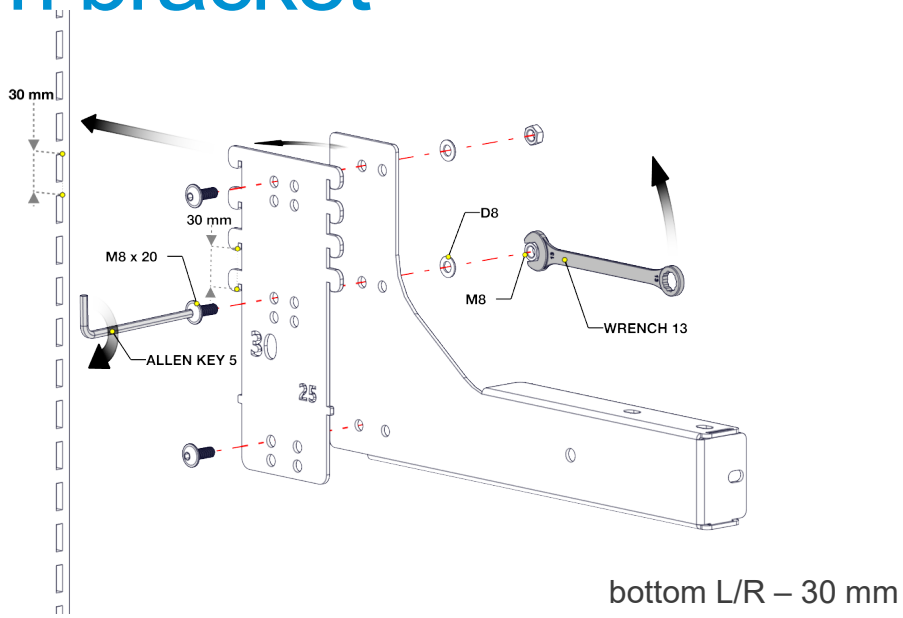


Top bracket



Bottom bracket

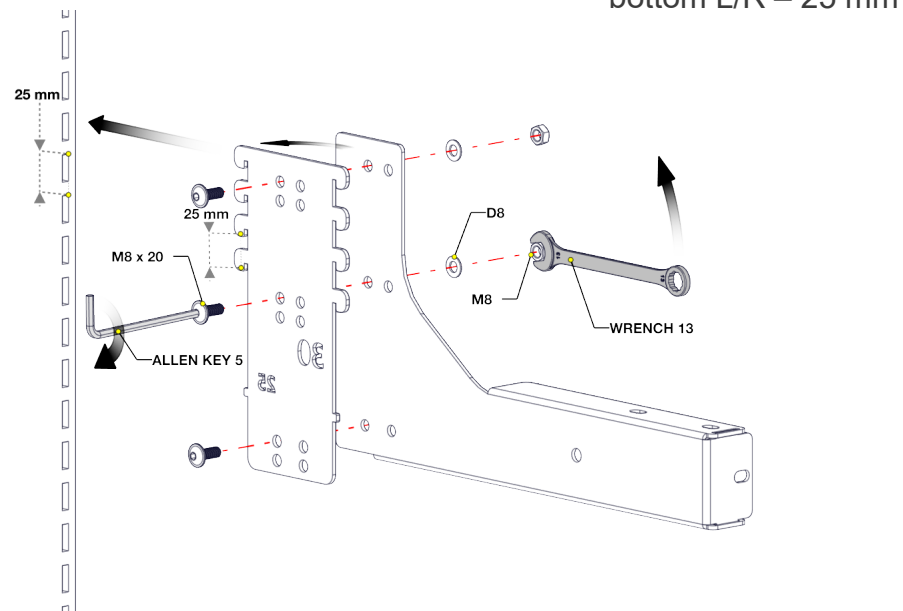
30mm



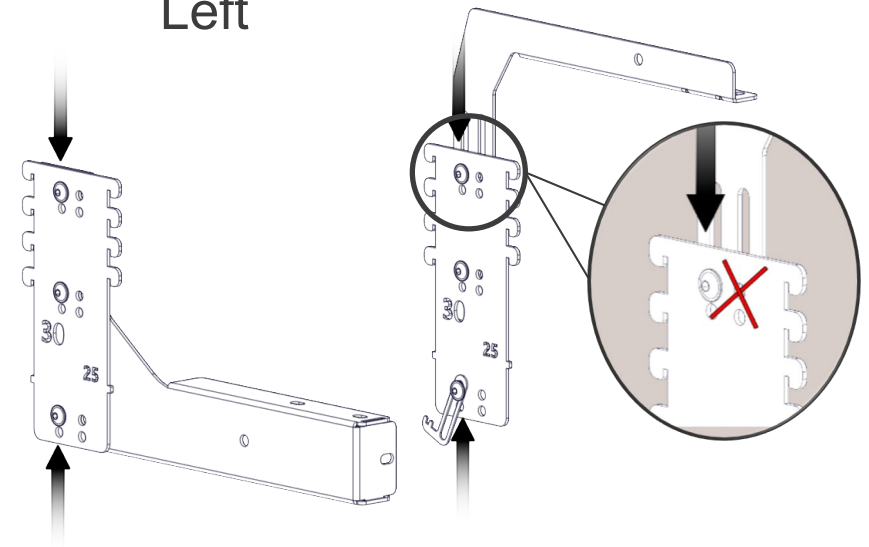
bottom L/R – 30 mm

bottom L/R – 25 mm

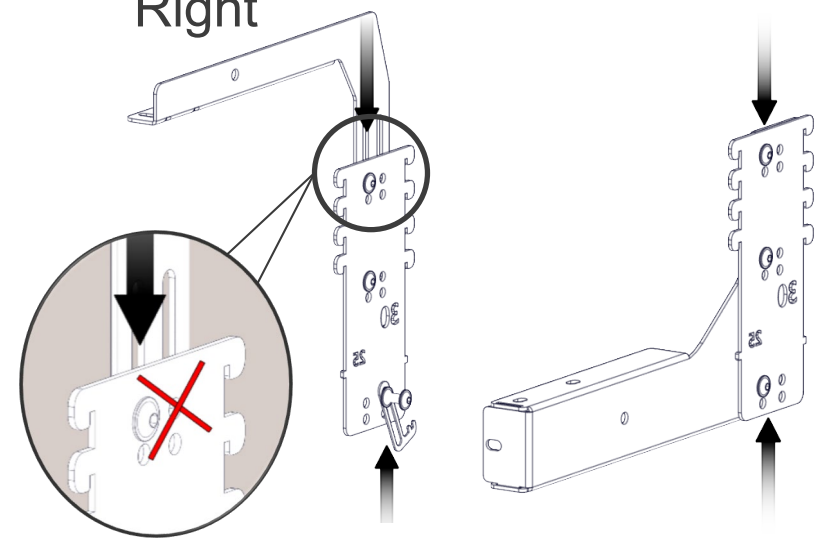
25mm



Left



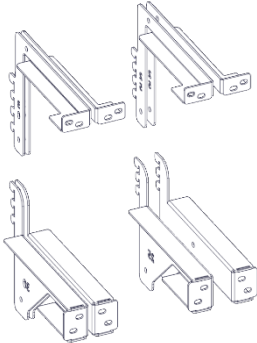
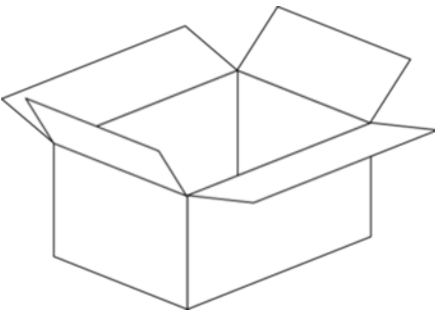
Right






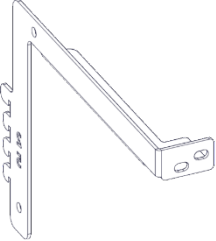
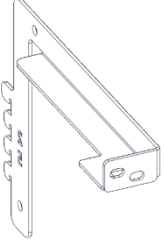
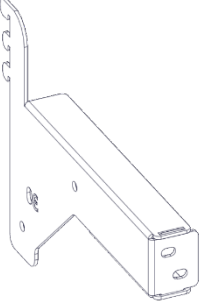
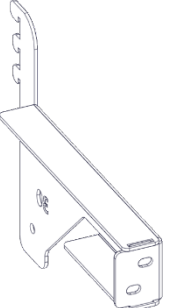
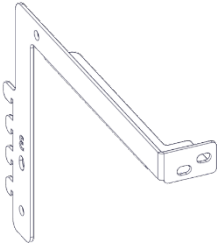
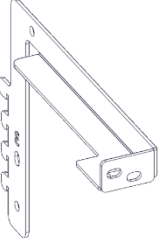
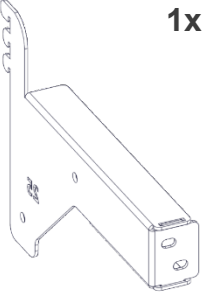
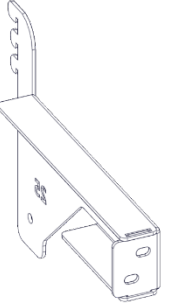


Frame assembly



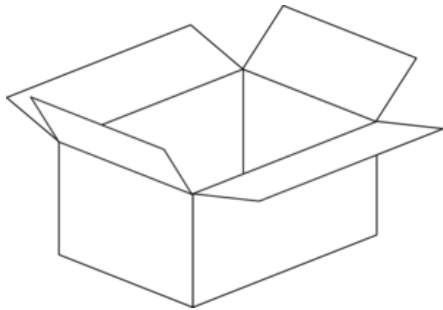
Middle brackets



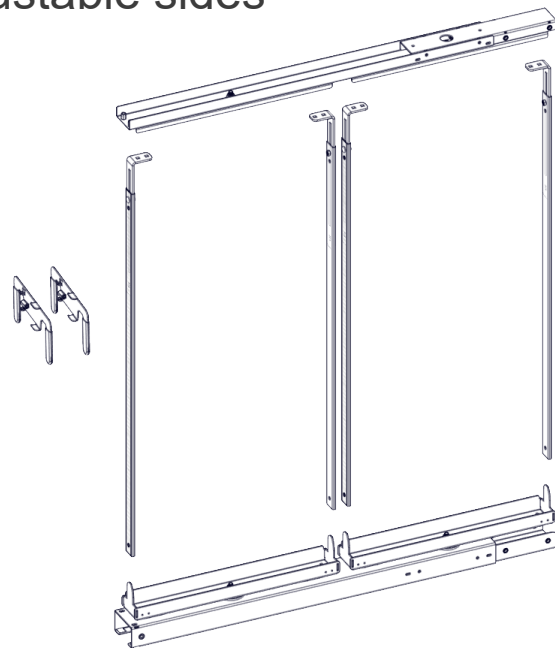
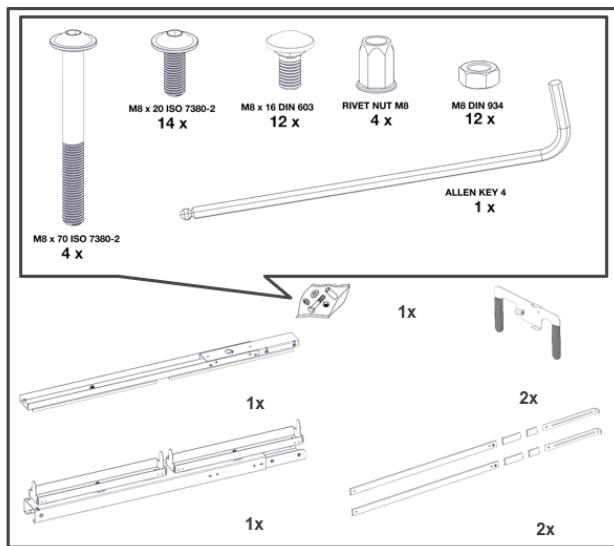
 <p>M8 x 25 ISO 7380-2 4 x</p>	 <p>M8 x 20 ISO 7380-2 8 x</p>	 <p>M8 DIN 934 4 x</p>	 <p>M8 DIN 125 4 x</p>	 <p>Fittings 1x</p>	 <p>1x</p>	 <p>1x</p>
 <p>1x</p>	 <p>1x</p>	 <p>1x</p>	 <p>1x</p>	 <p>1x</p>	 <p>1x</p>	



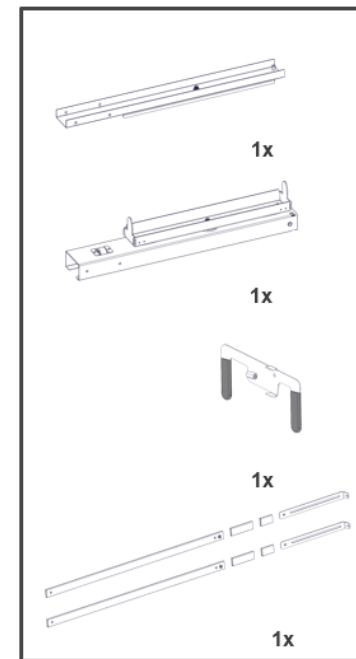
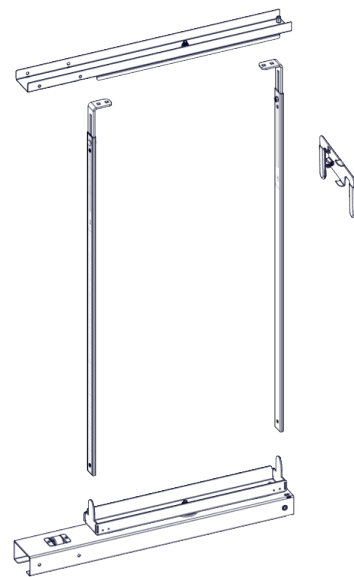
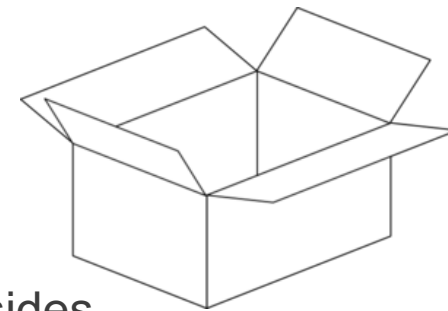
Frame assembly



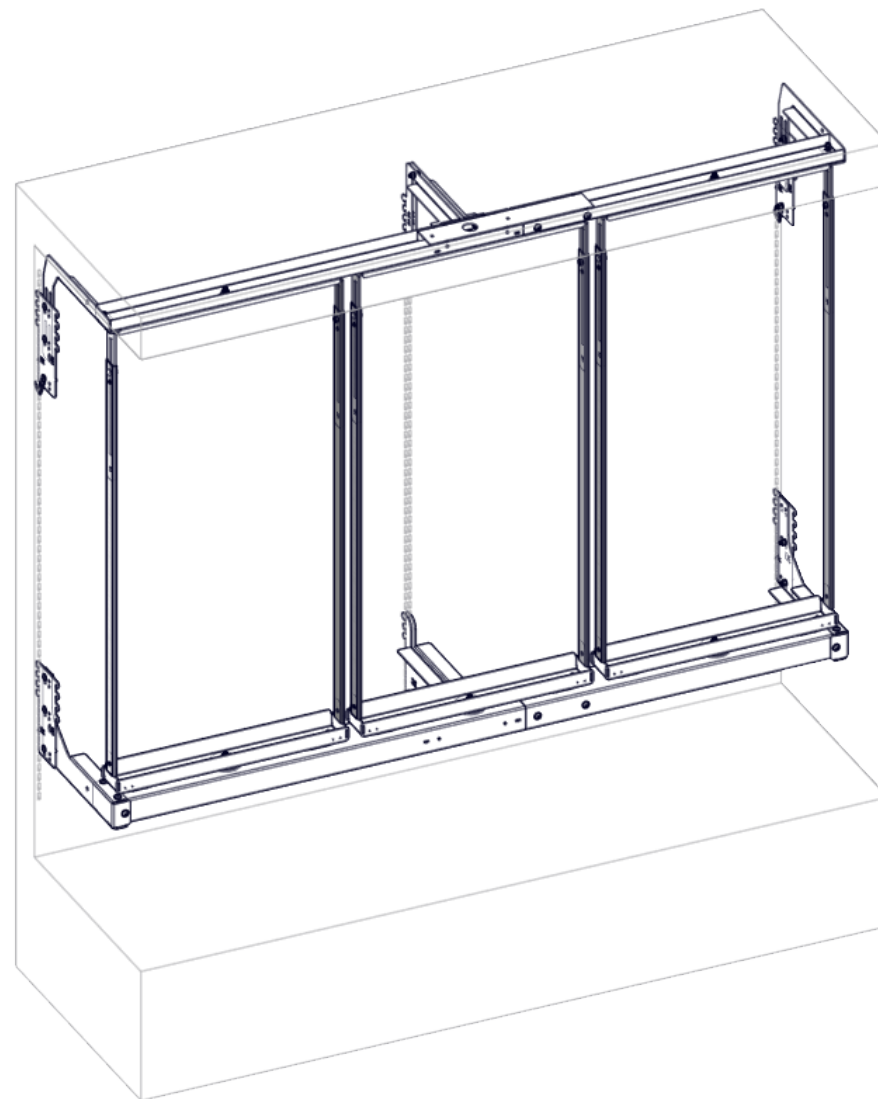
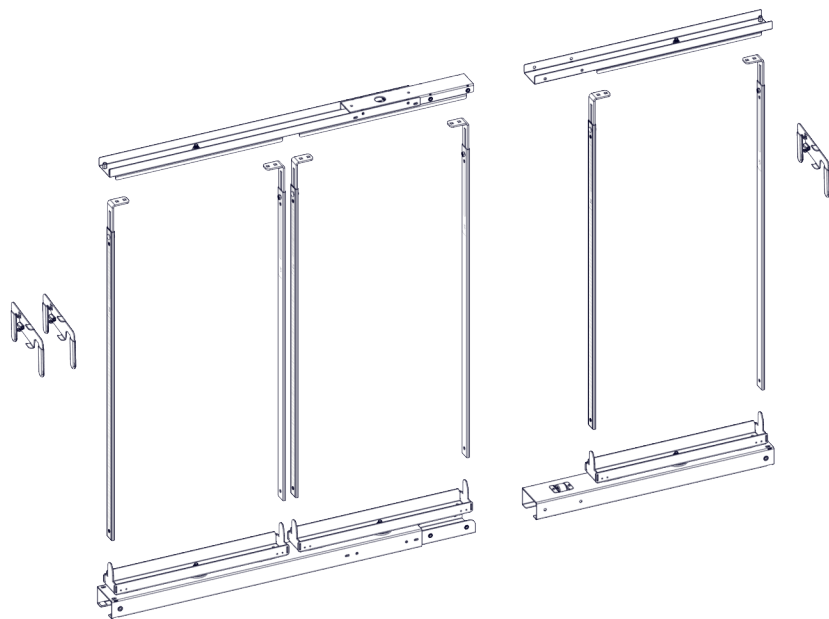
Double frame and adjustable sides



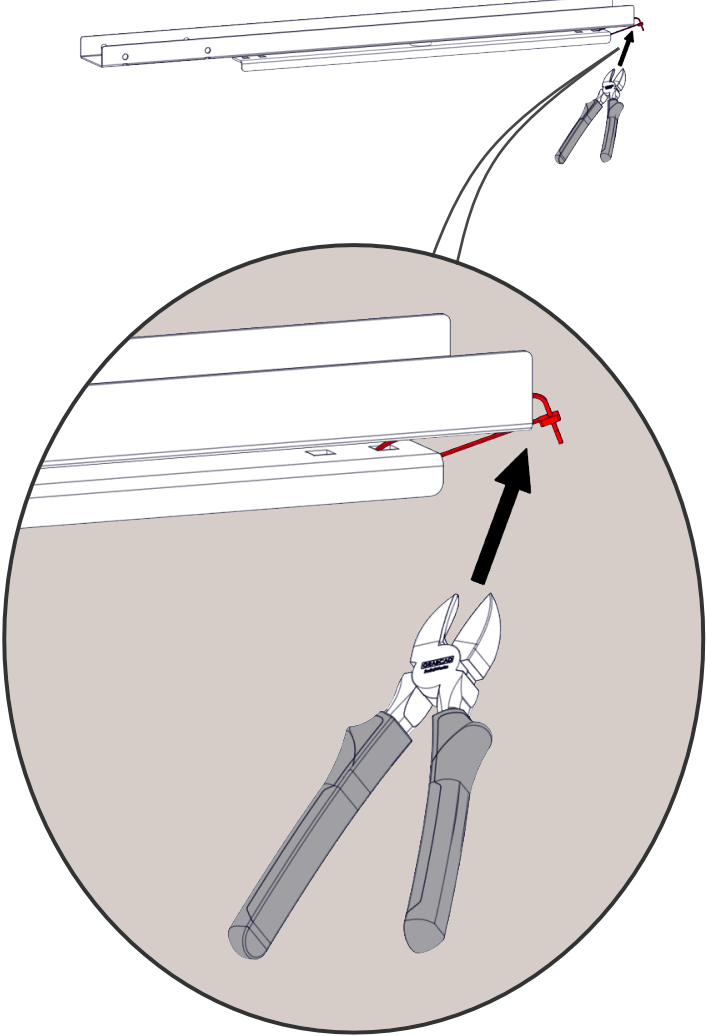
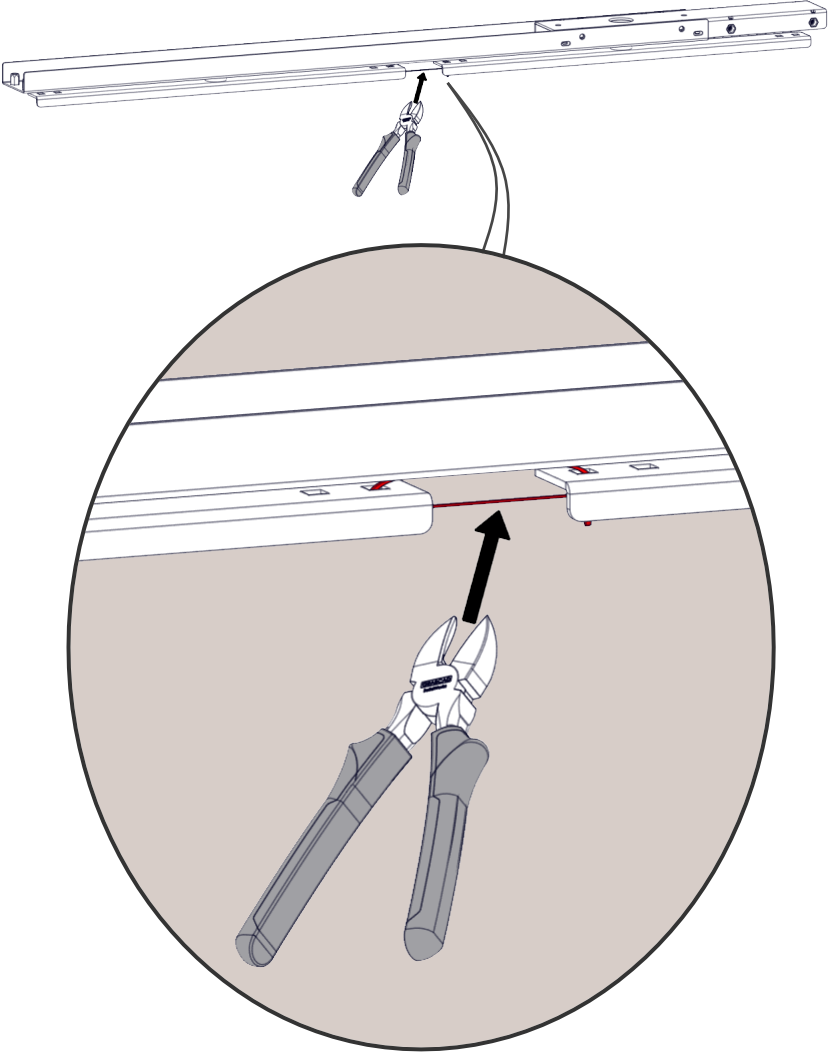
Single frame and adjustable sides



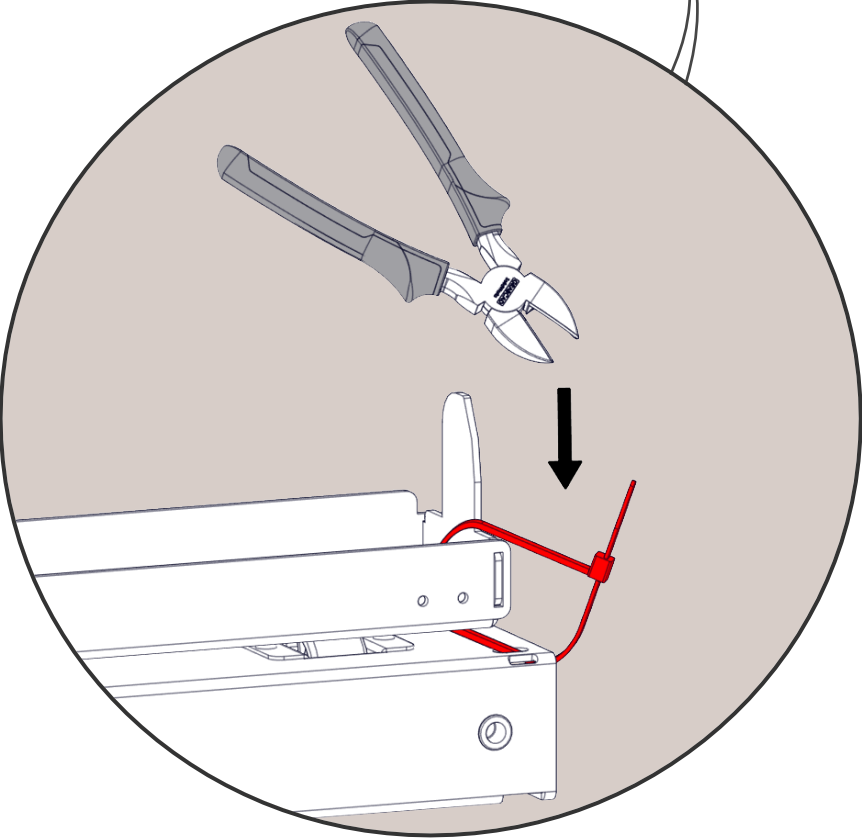
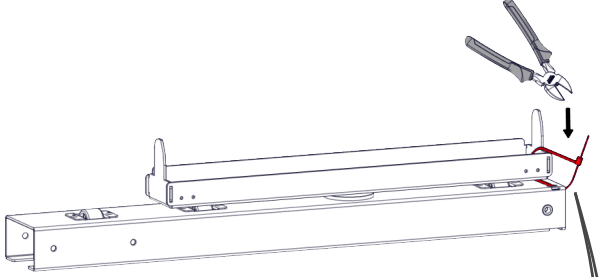
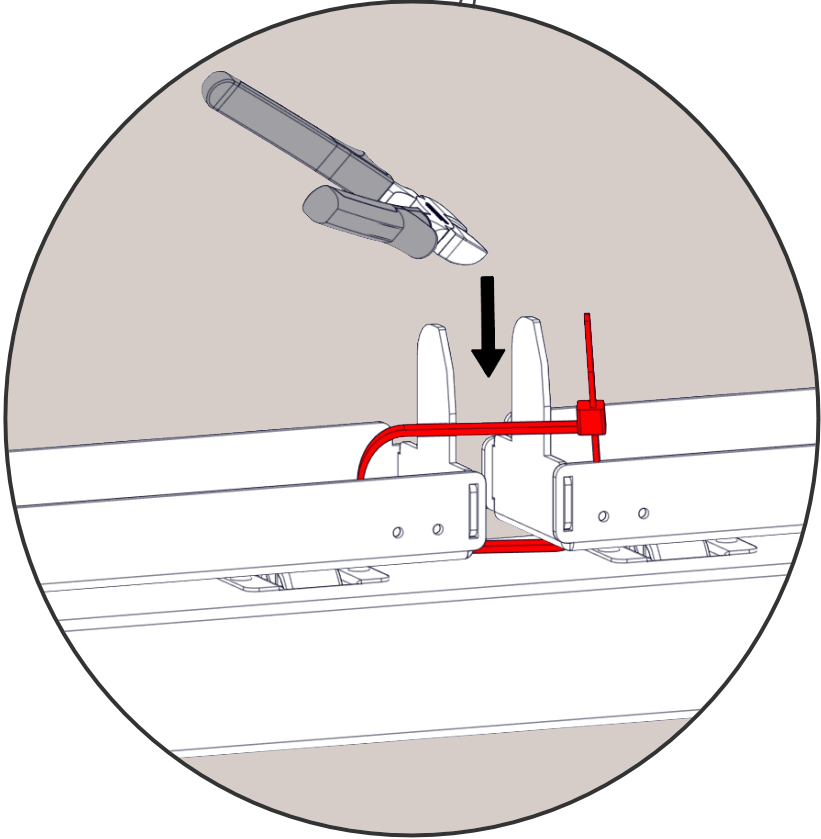
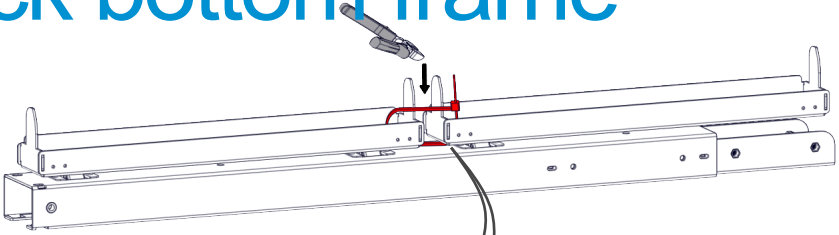
Frame assembly



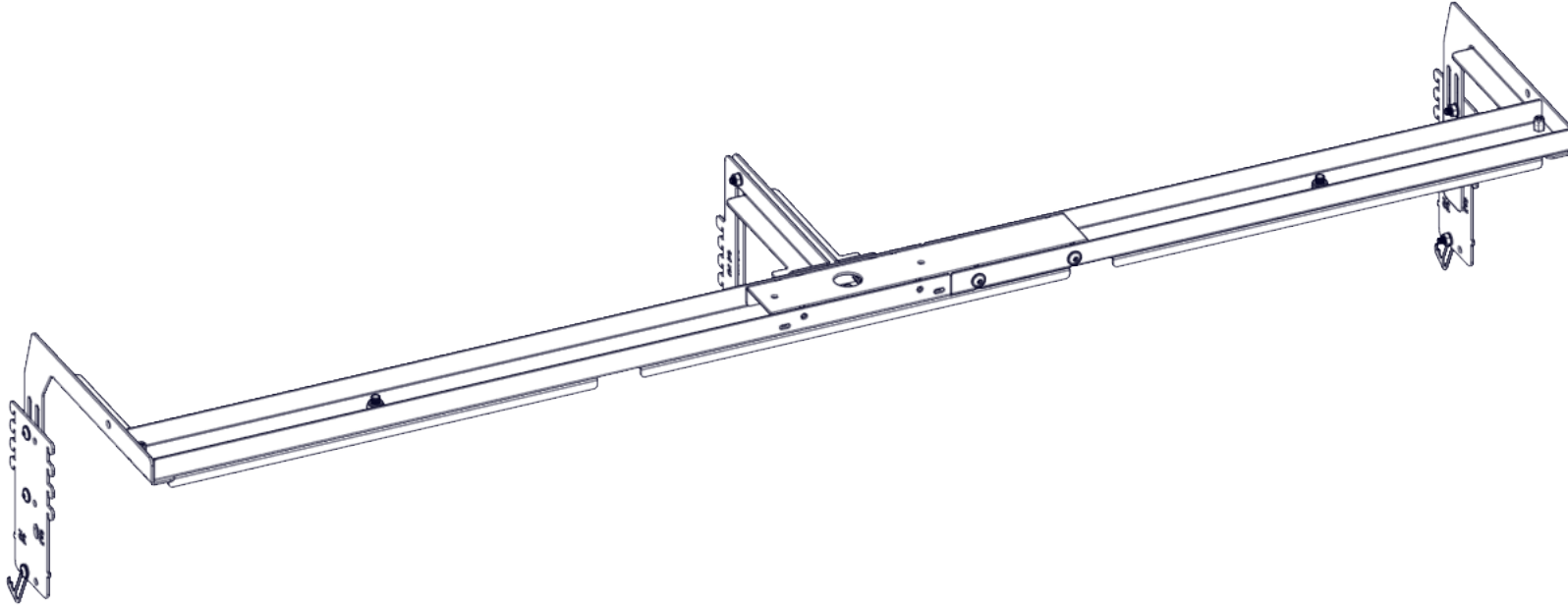
Unpack top frame



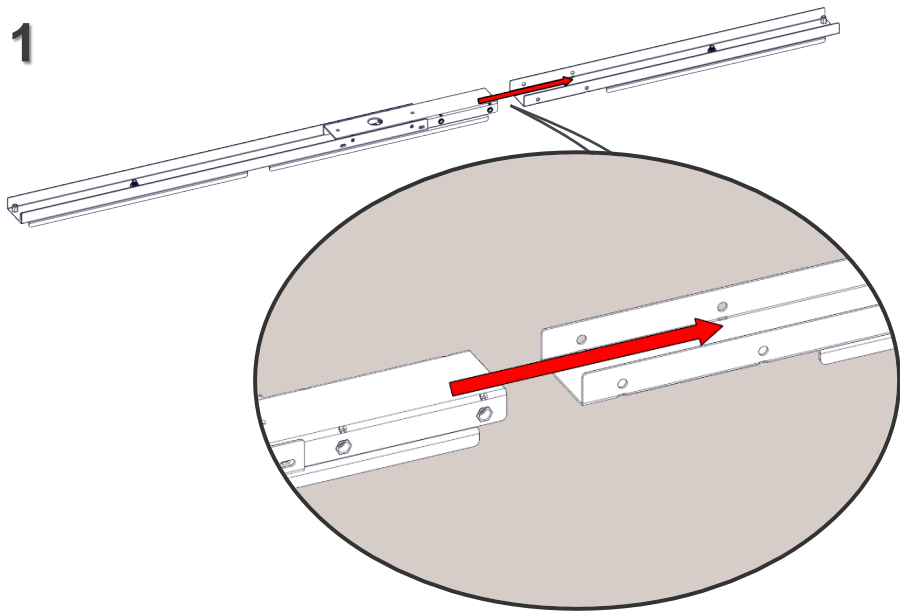
Unpack bottom frame



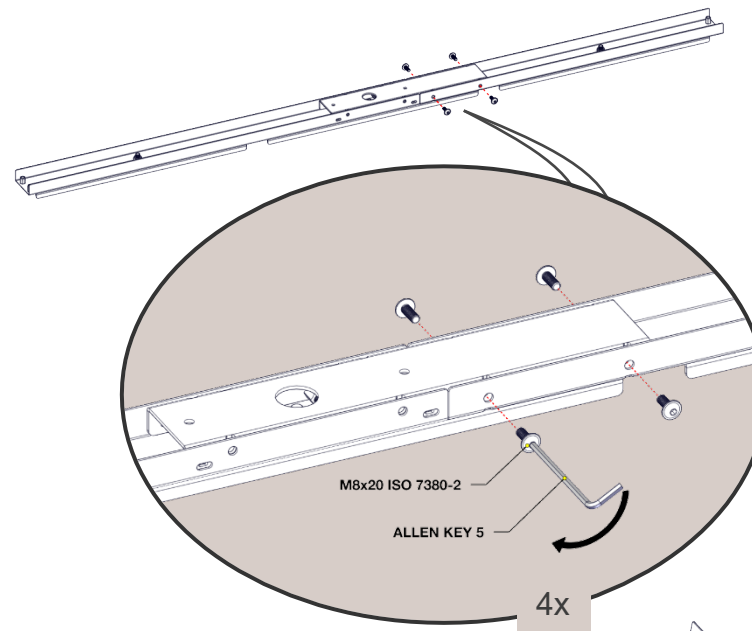
Installing brackets to frame top



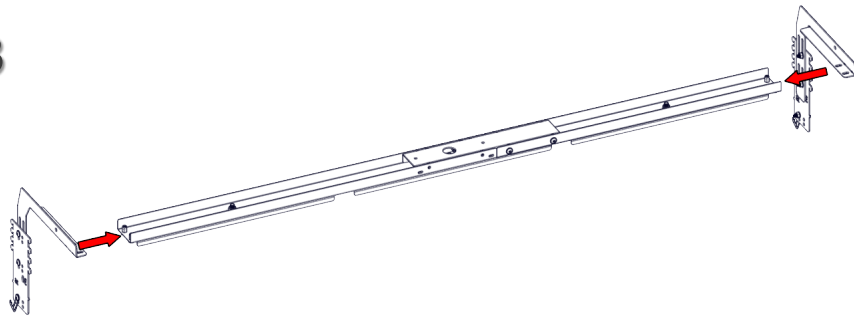
1



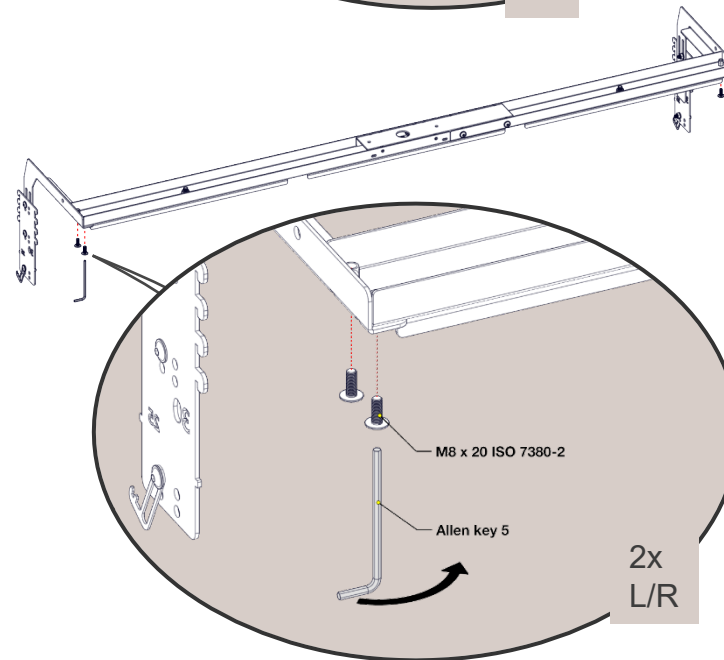
2



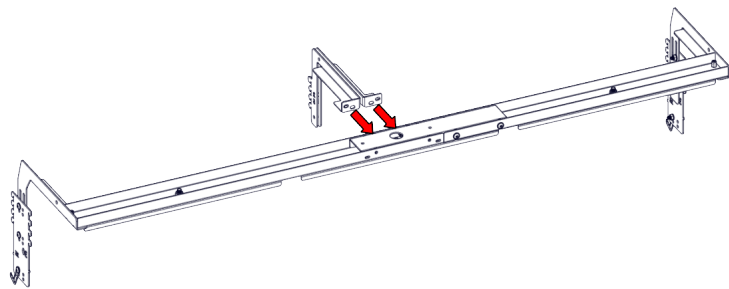
3



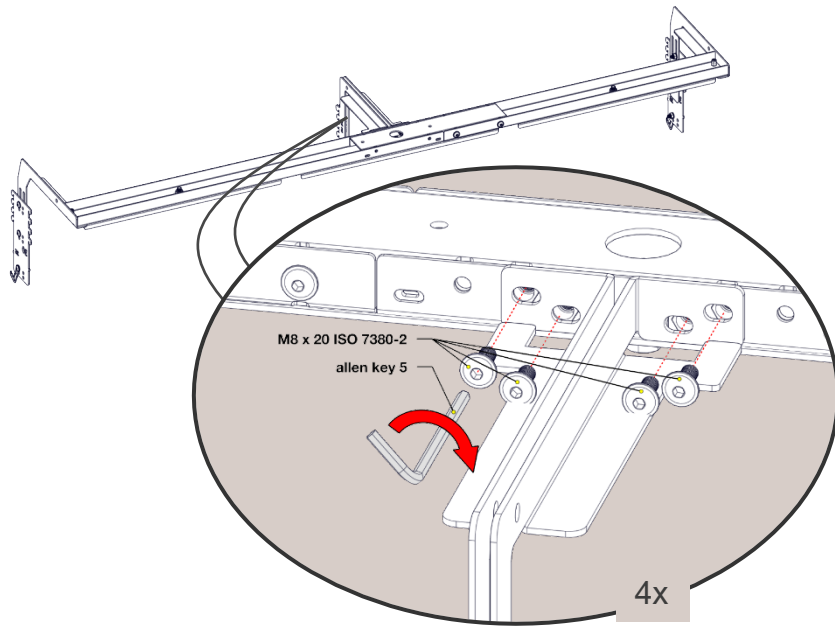
4



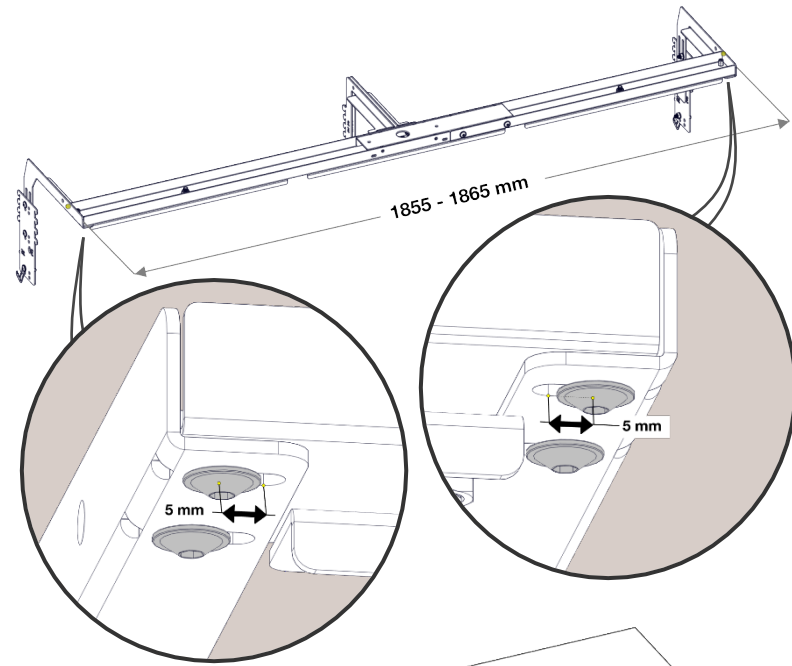
5



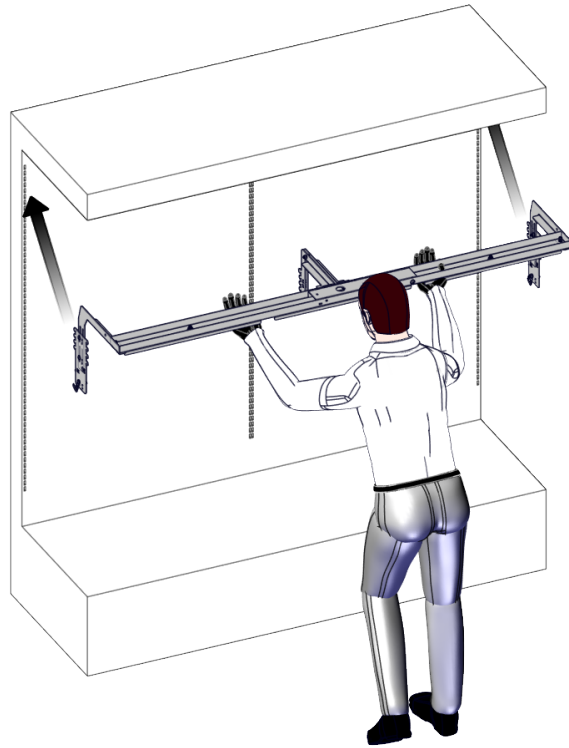
6



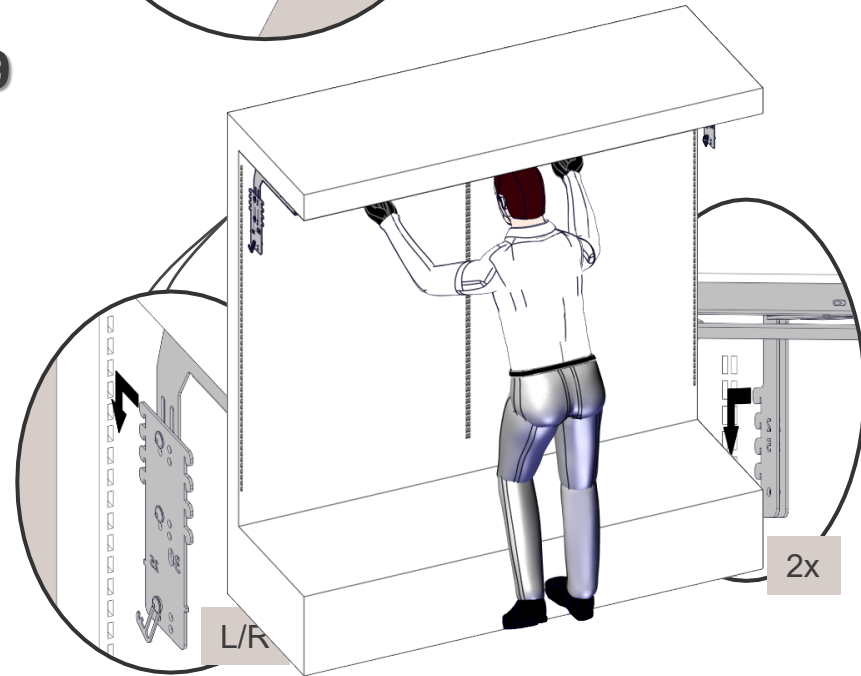
7



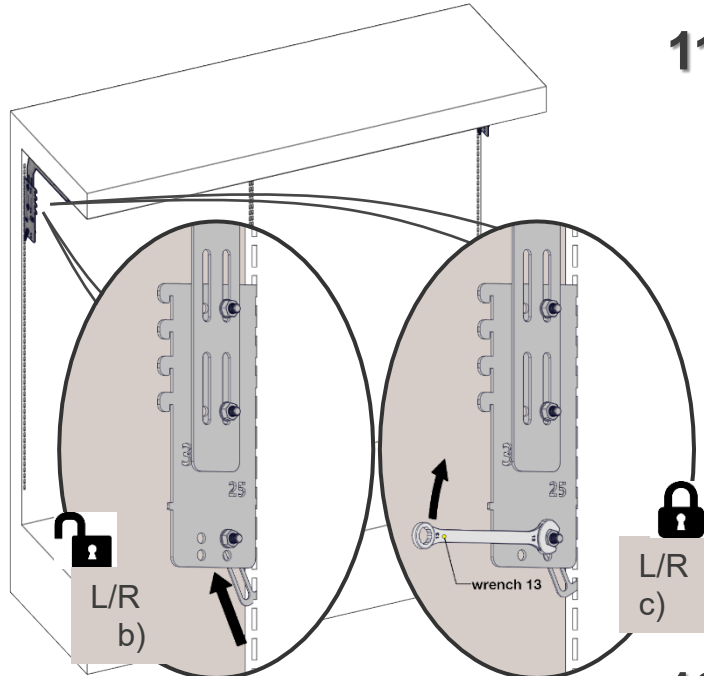
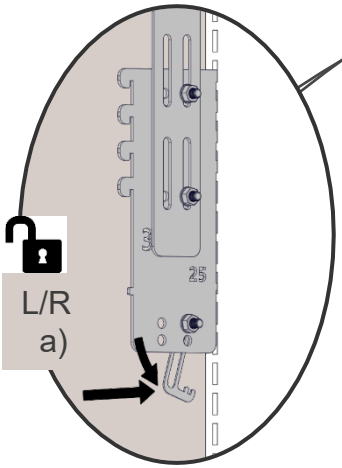
8



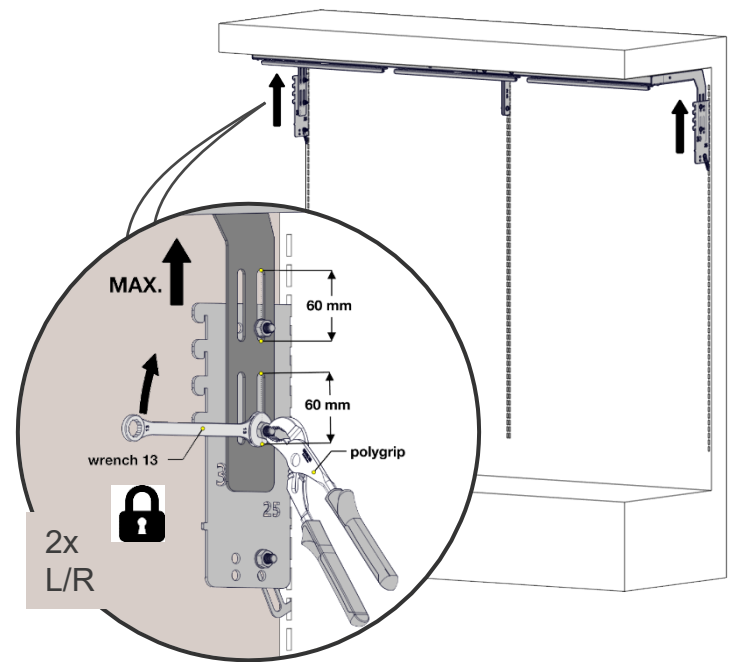
9



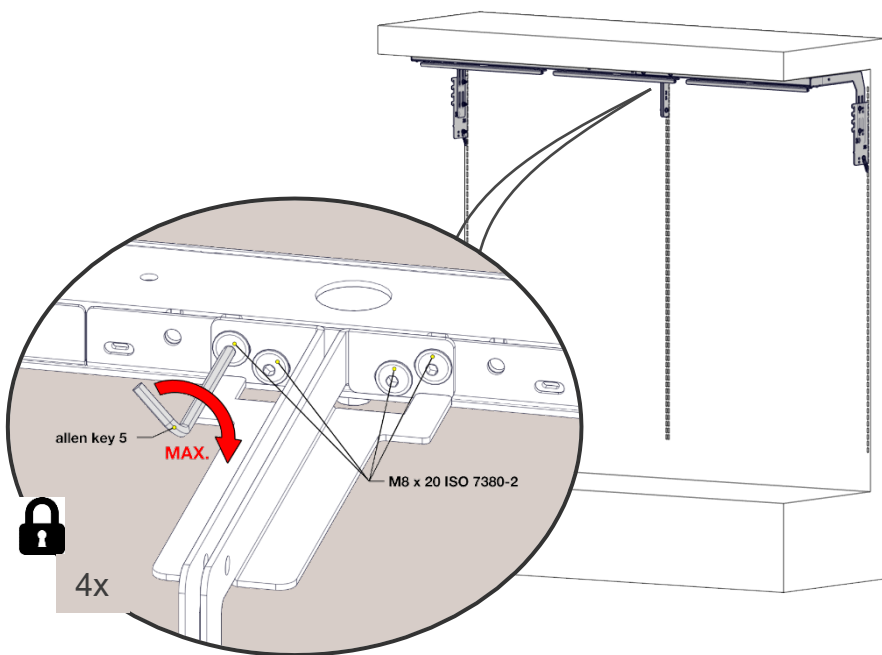
10



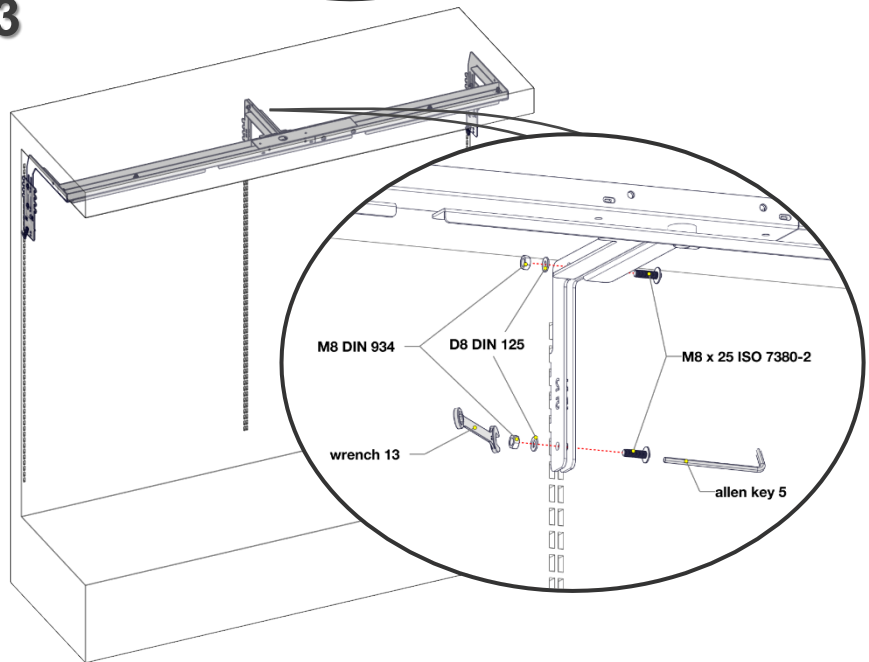
11



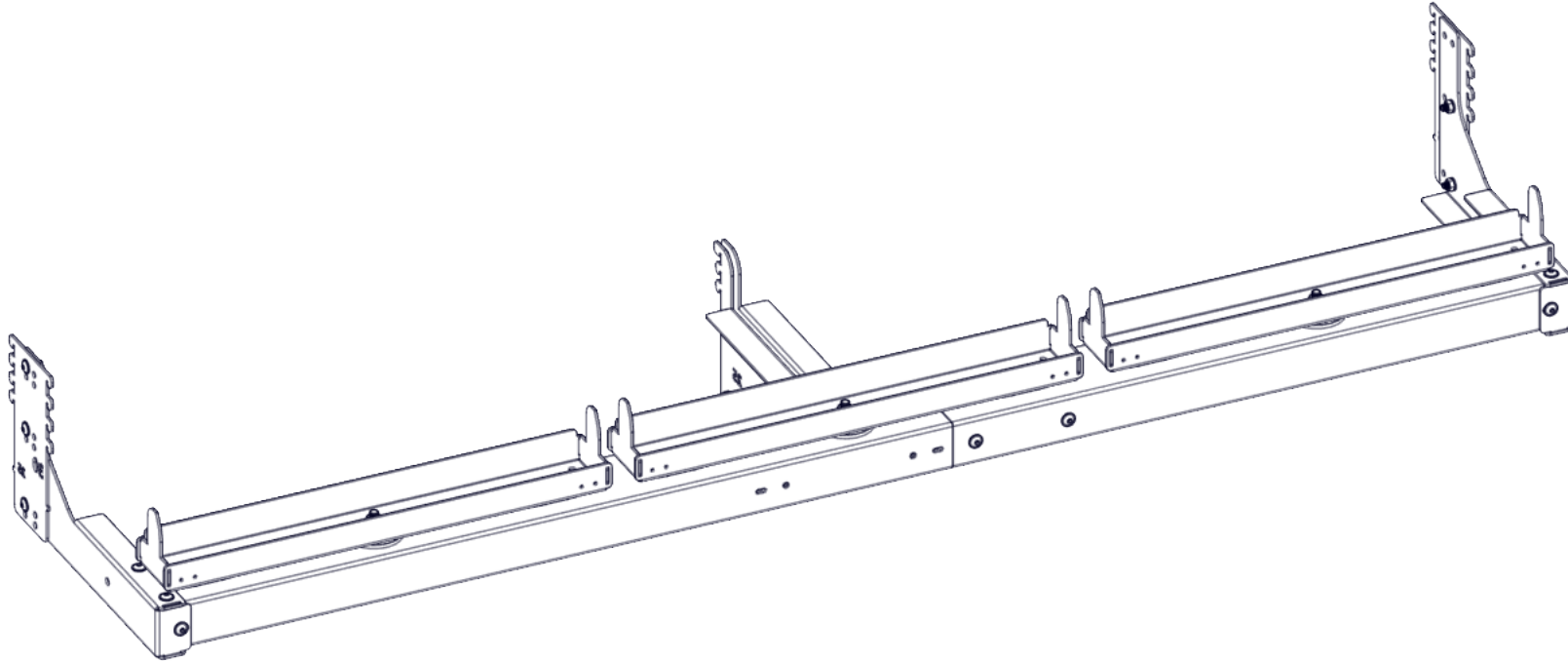
12



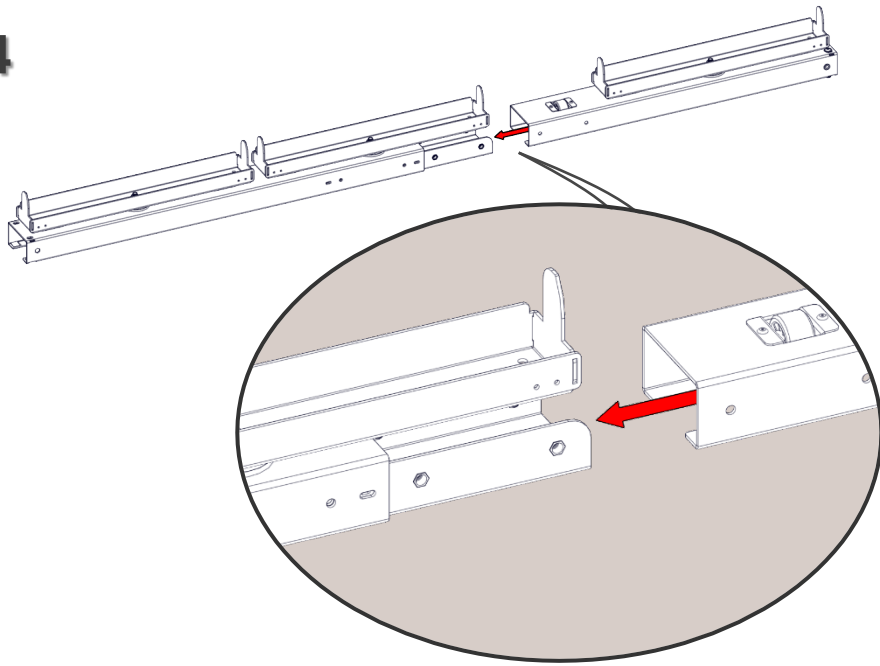
13



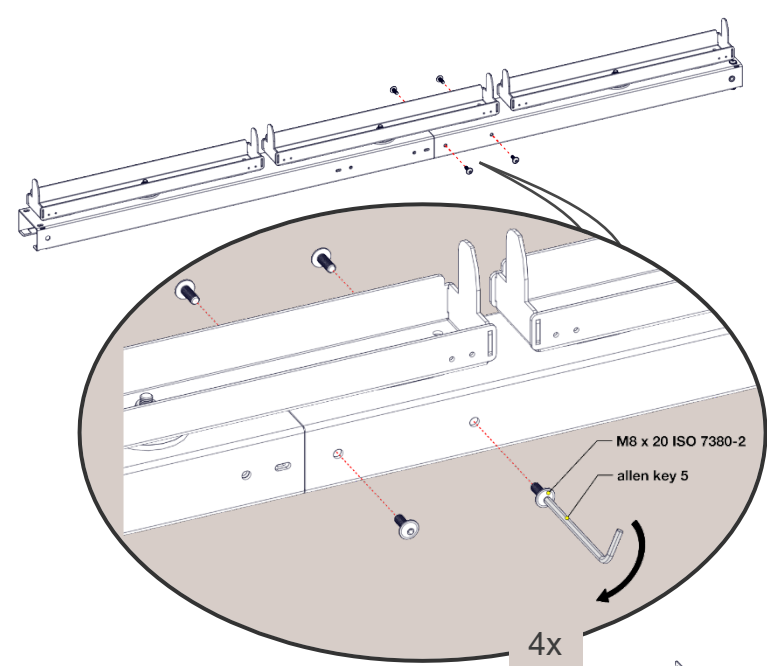
Installing brackets to frame bottom



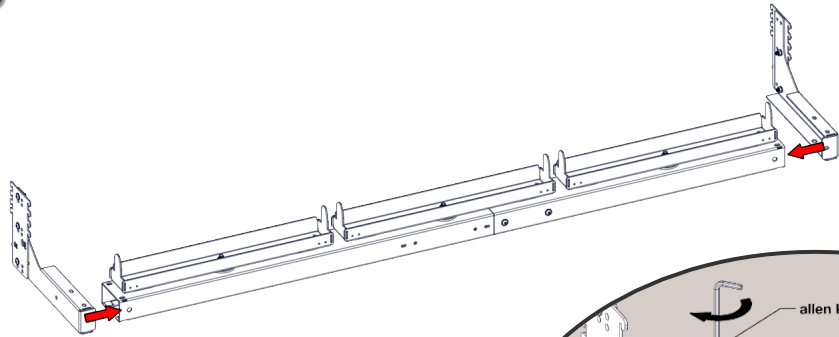
14



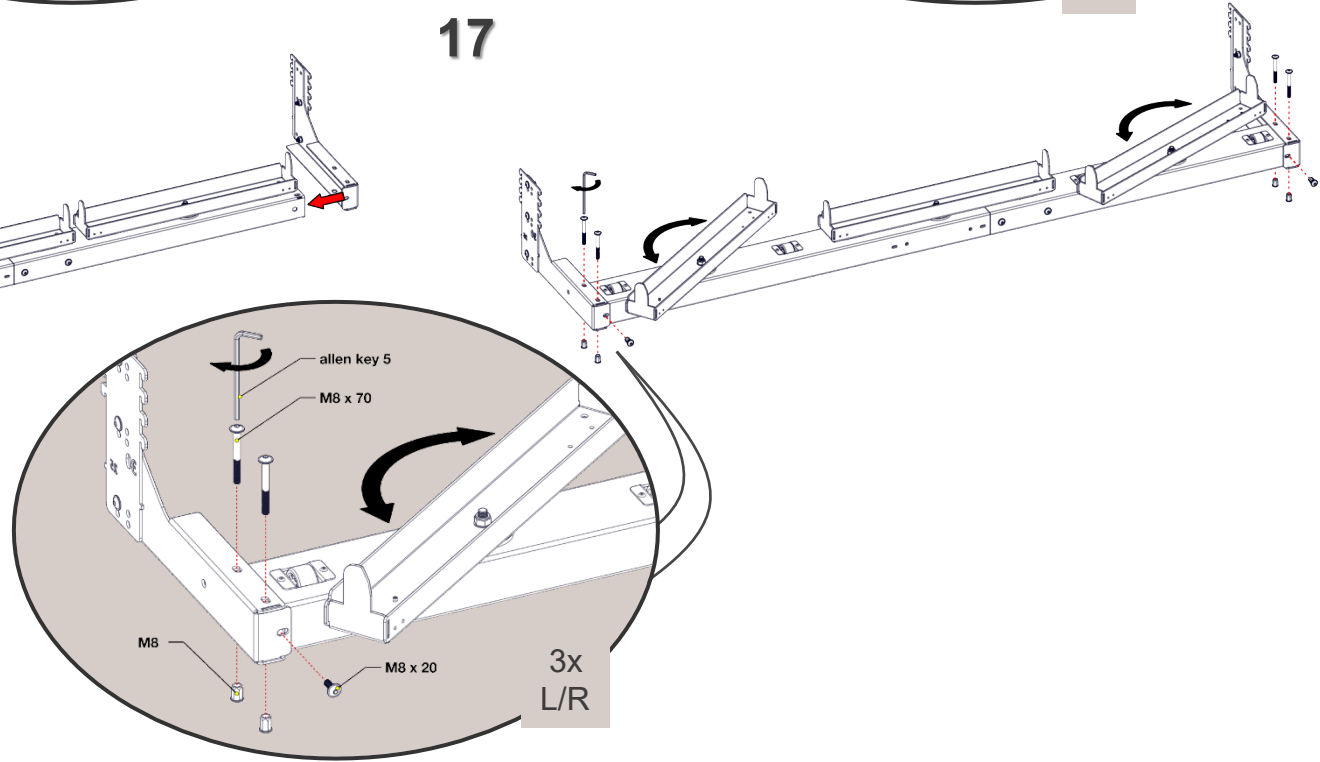
15



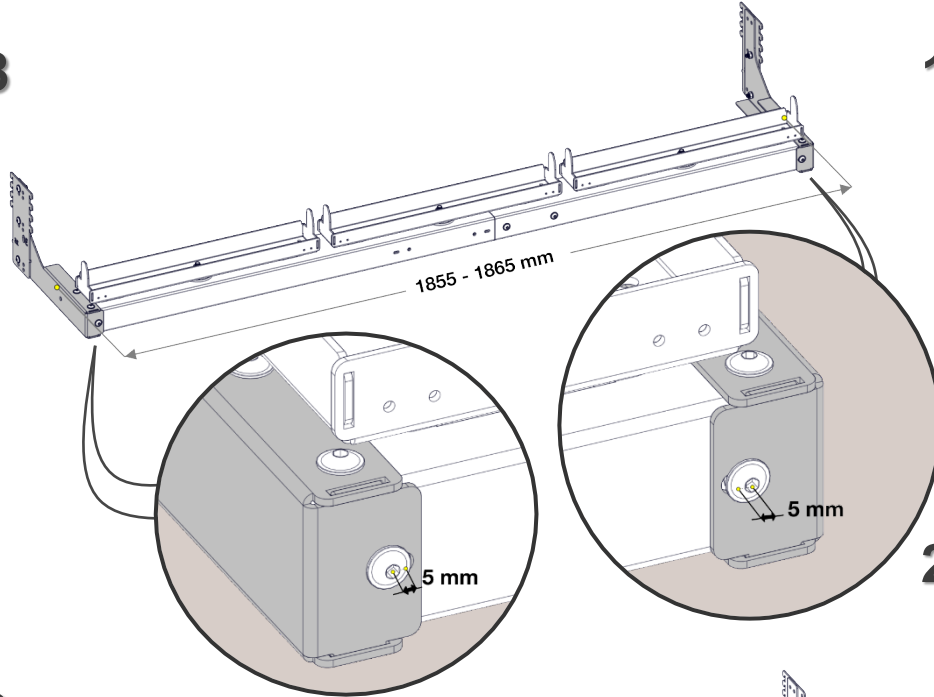
16



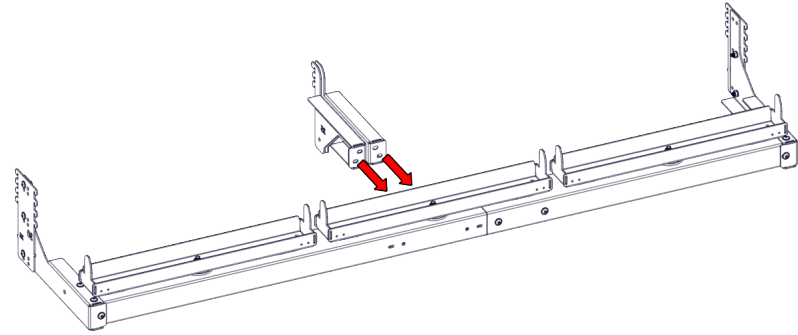
17



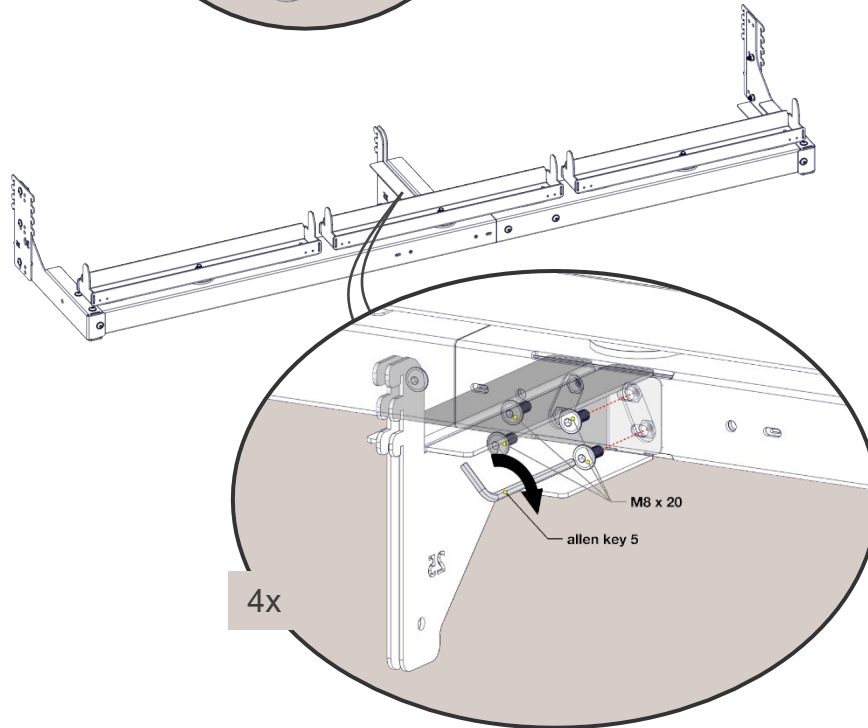
18



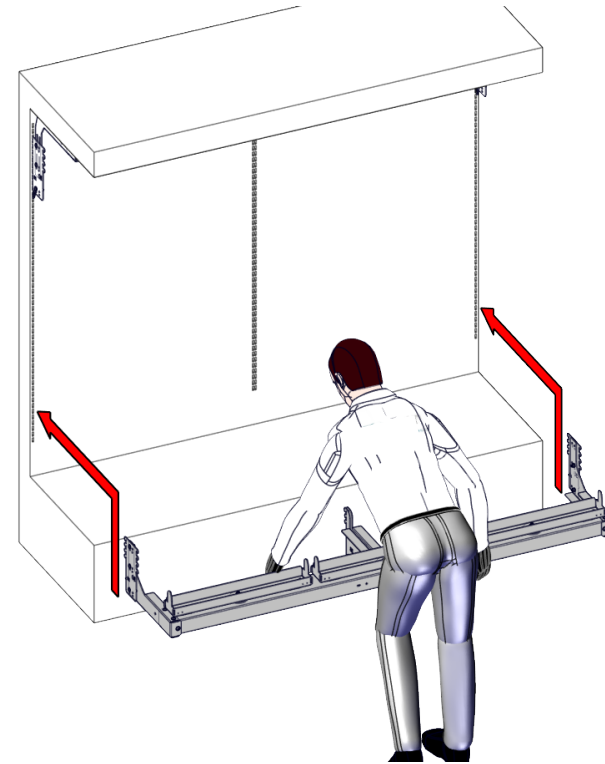
19

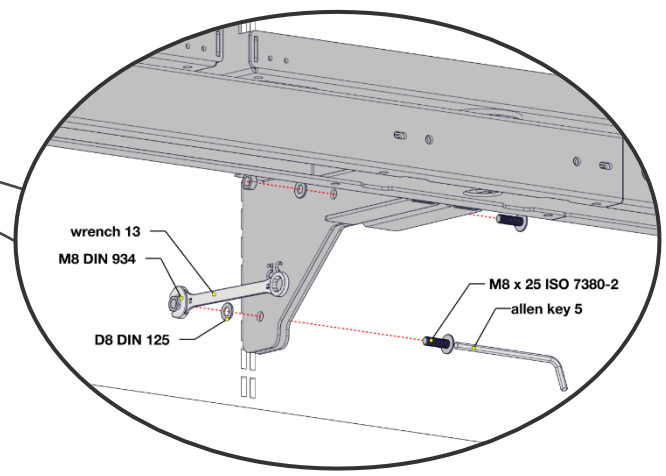
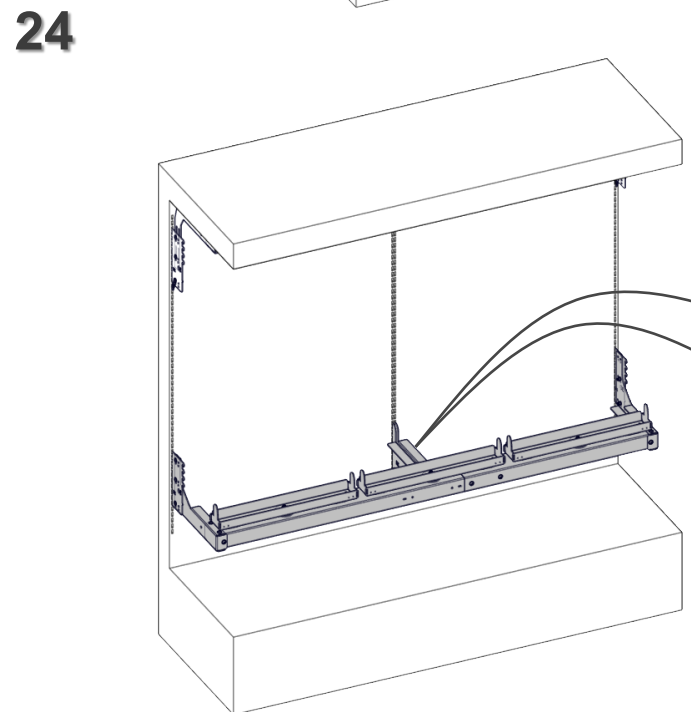
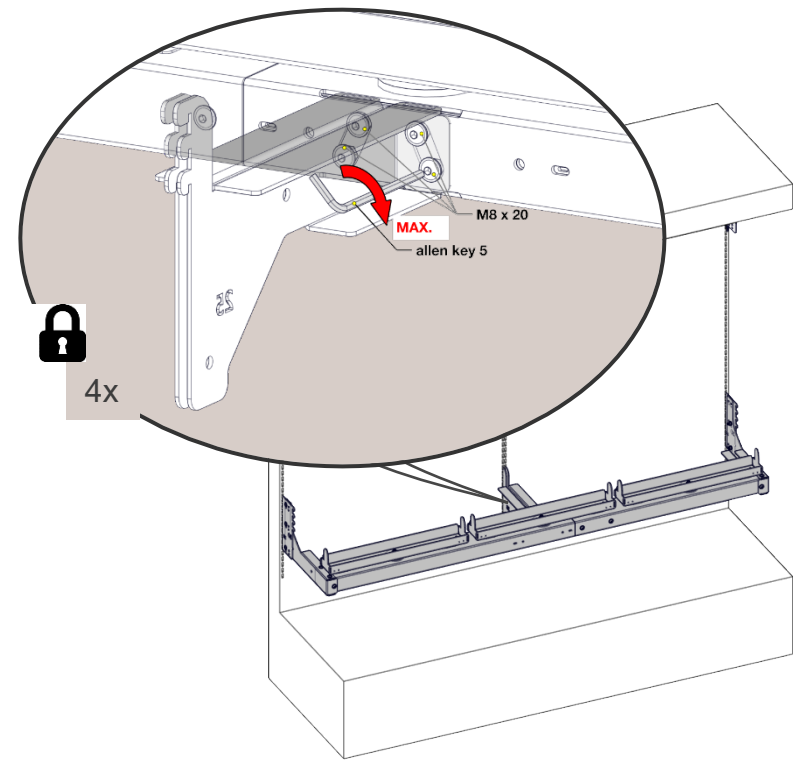
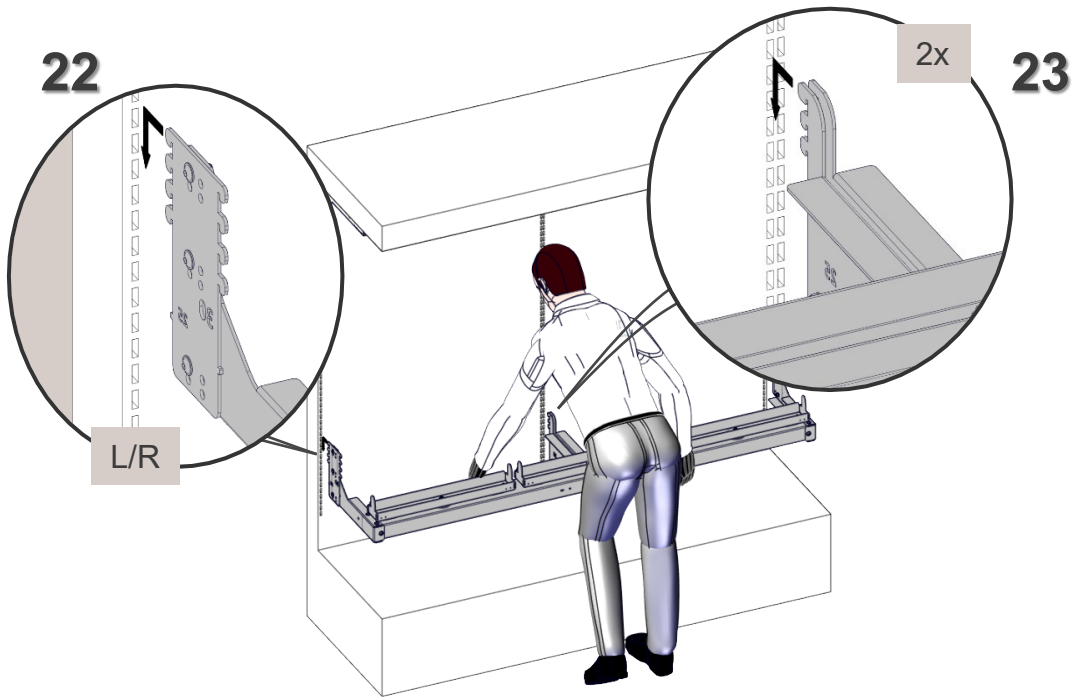


20

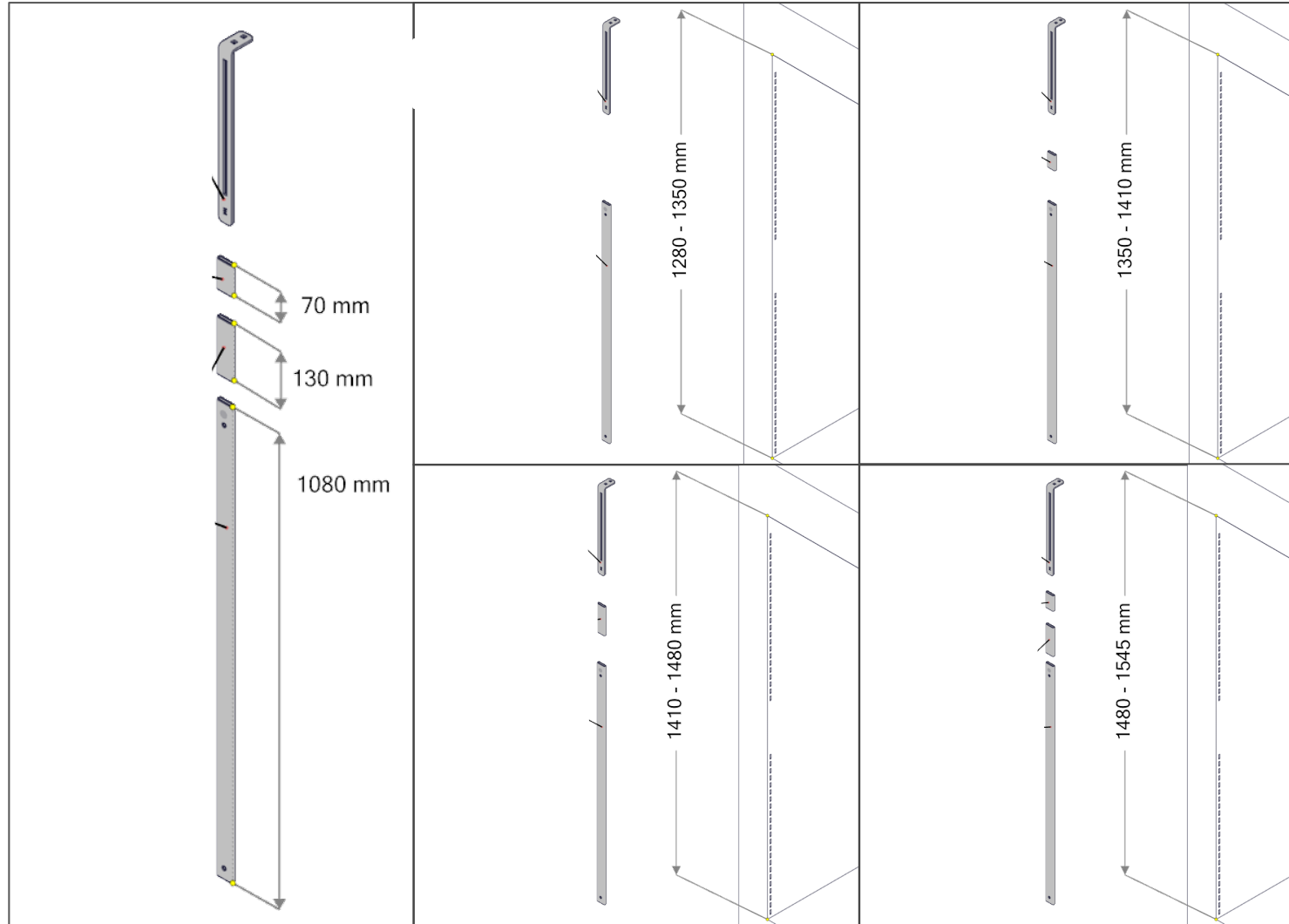


21

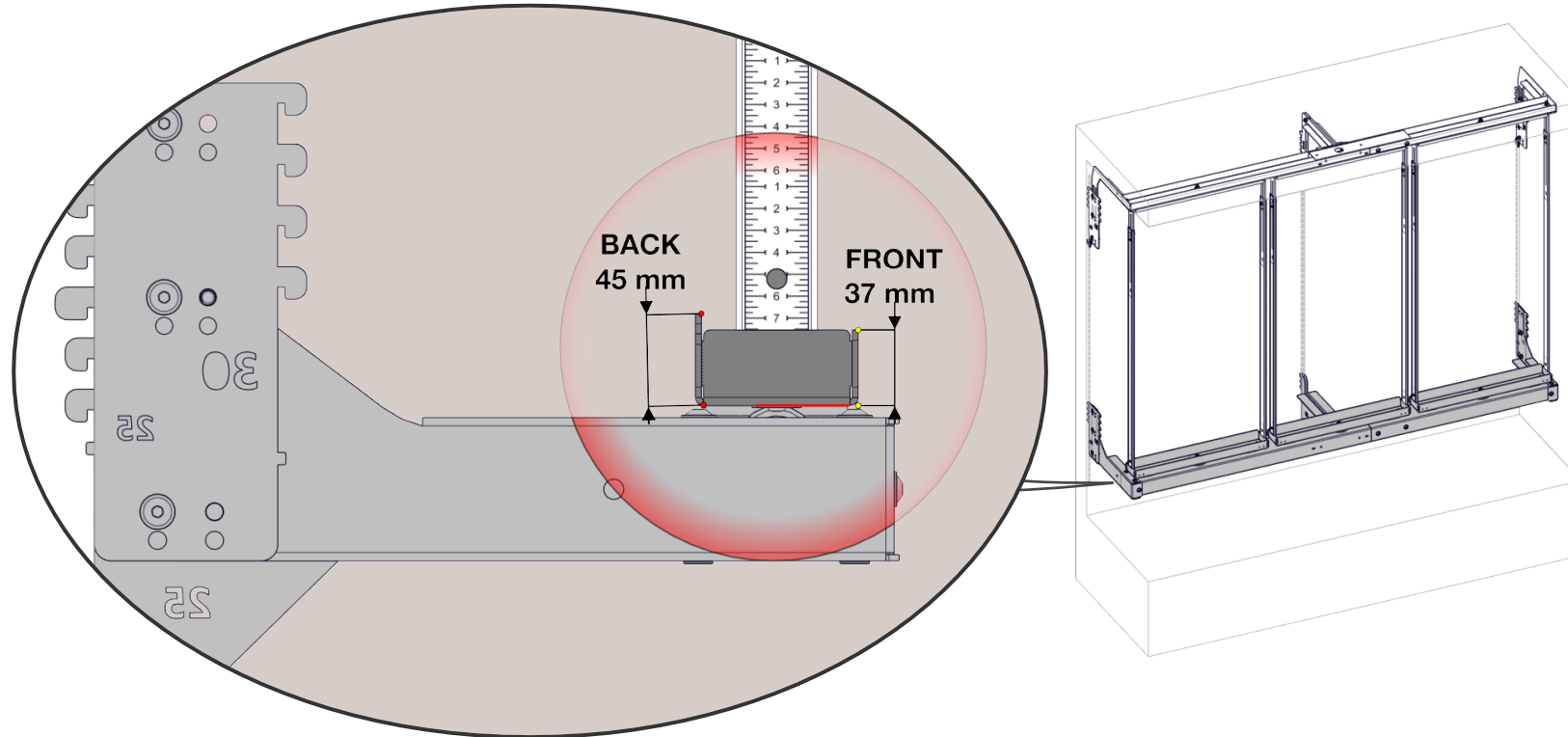




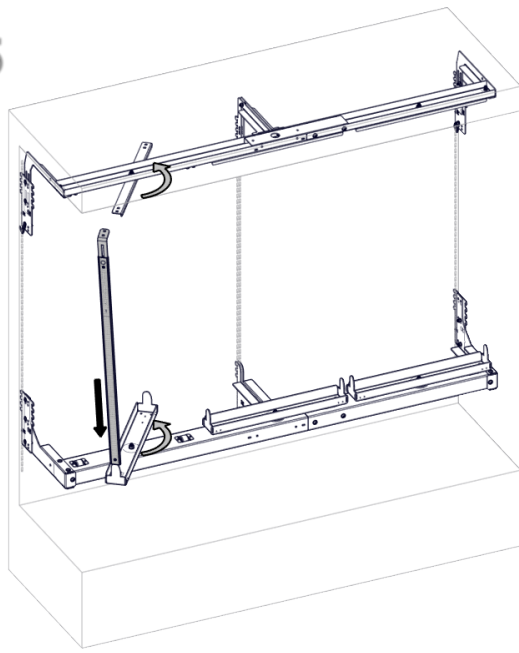
Adjustable frame



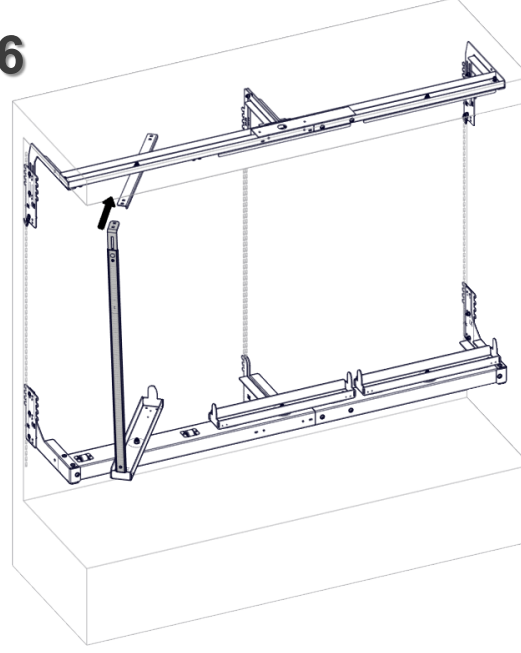
Check base position before fitting adjustable sides



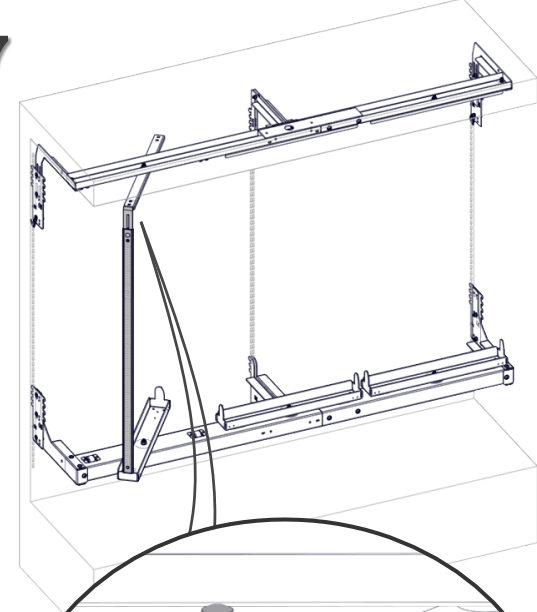
25



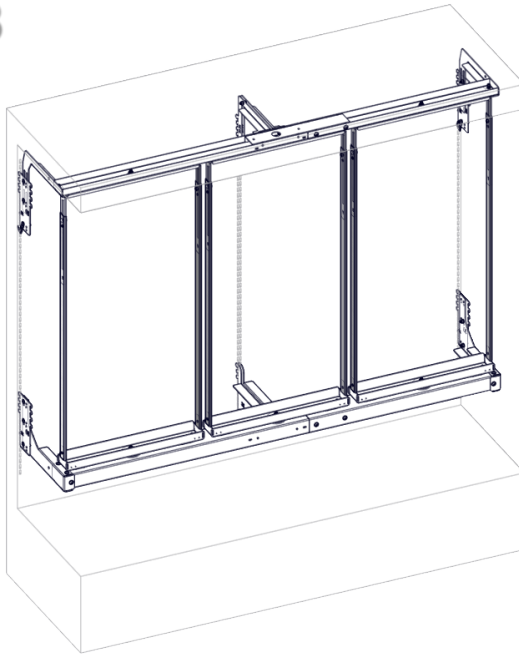
26



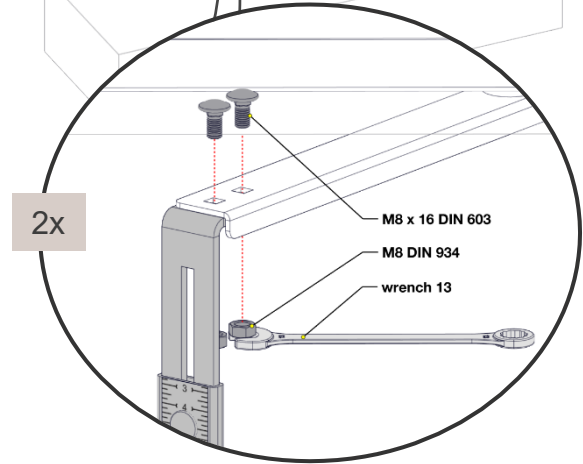
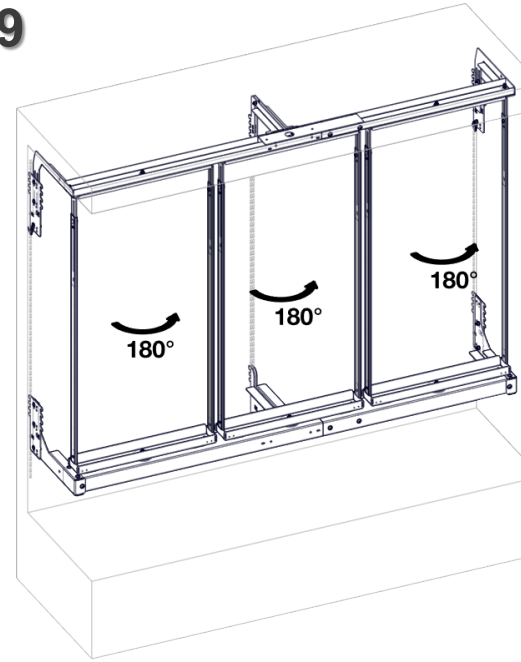
27

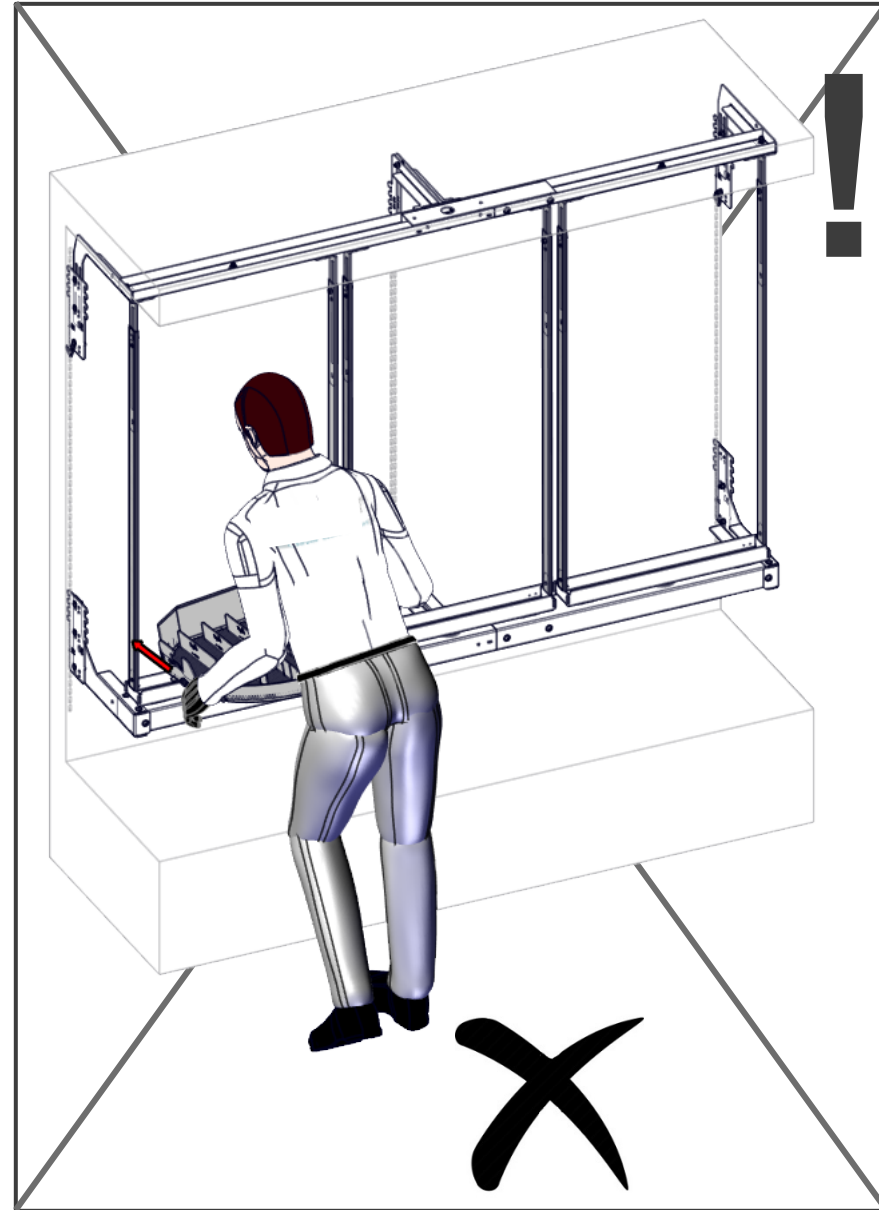
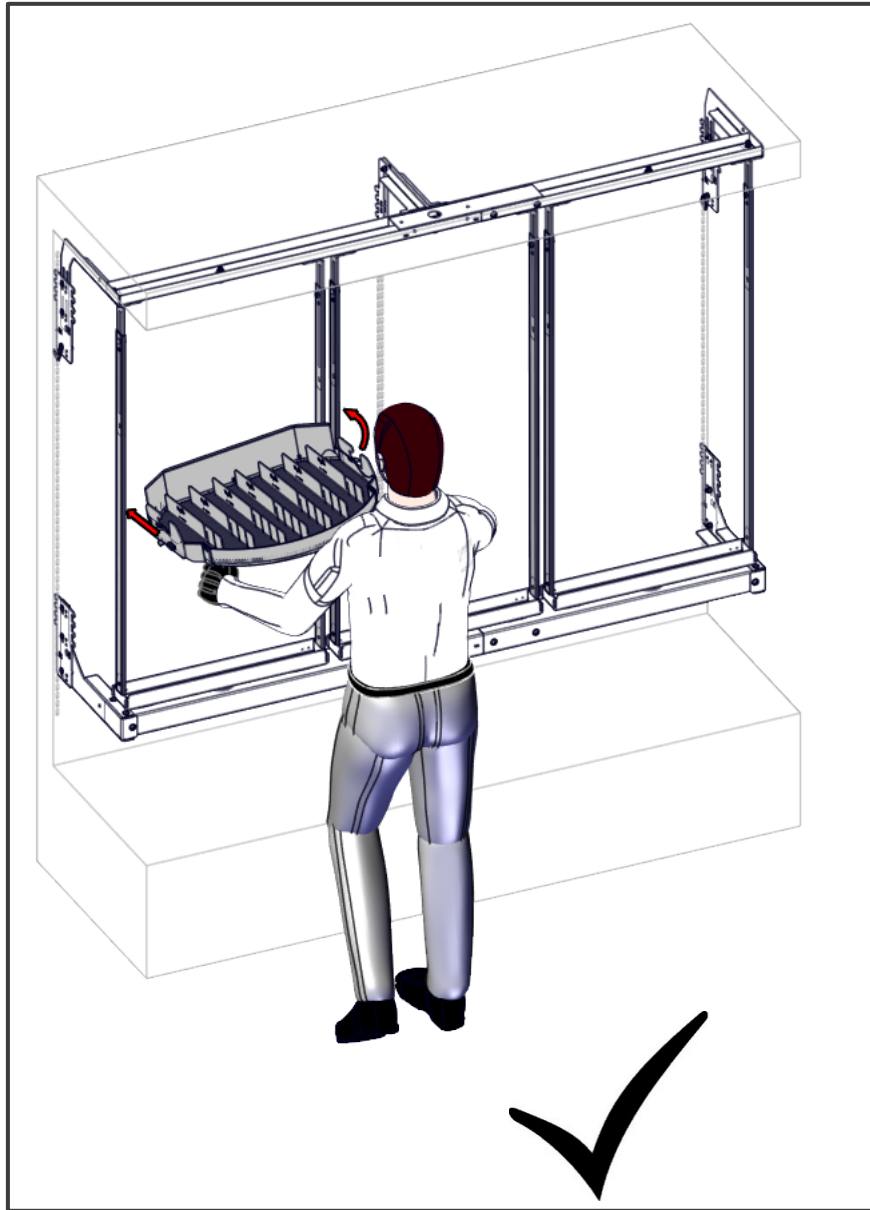


28

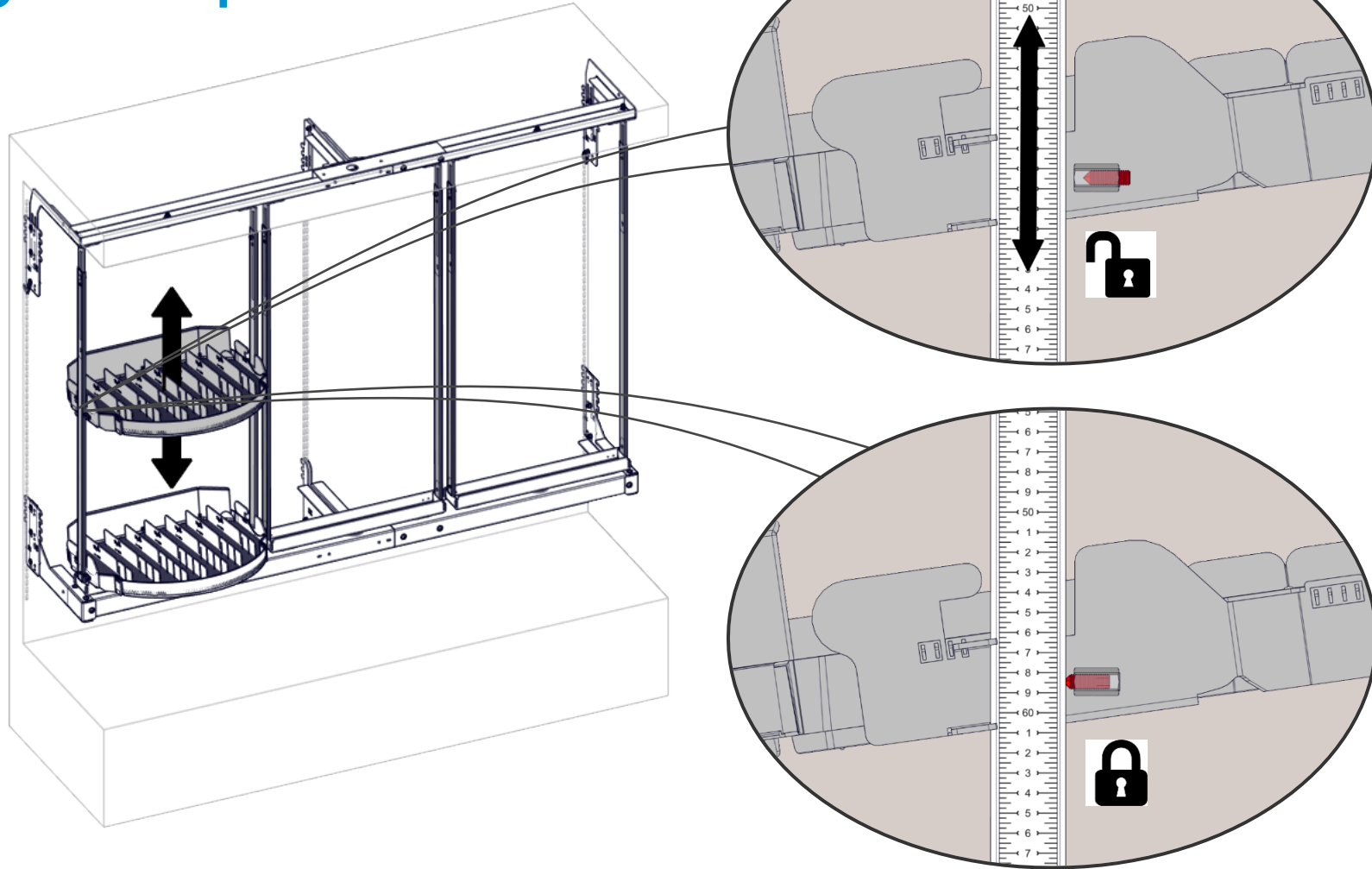


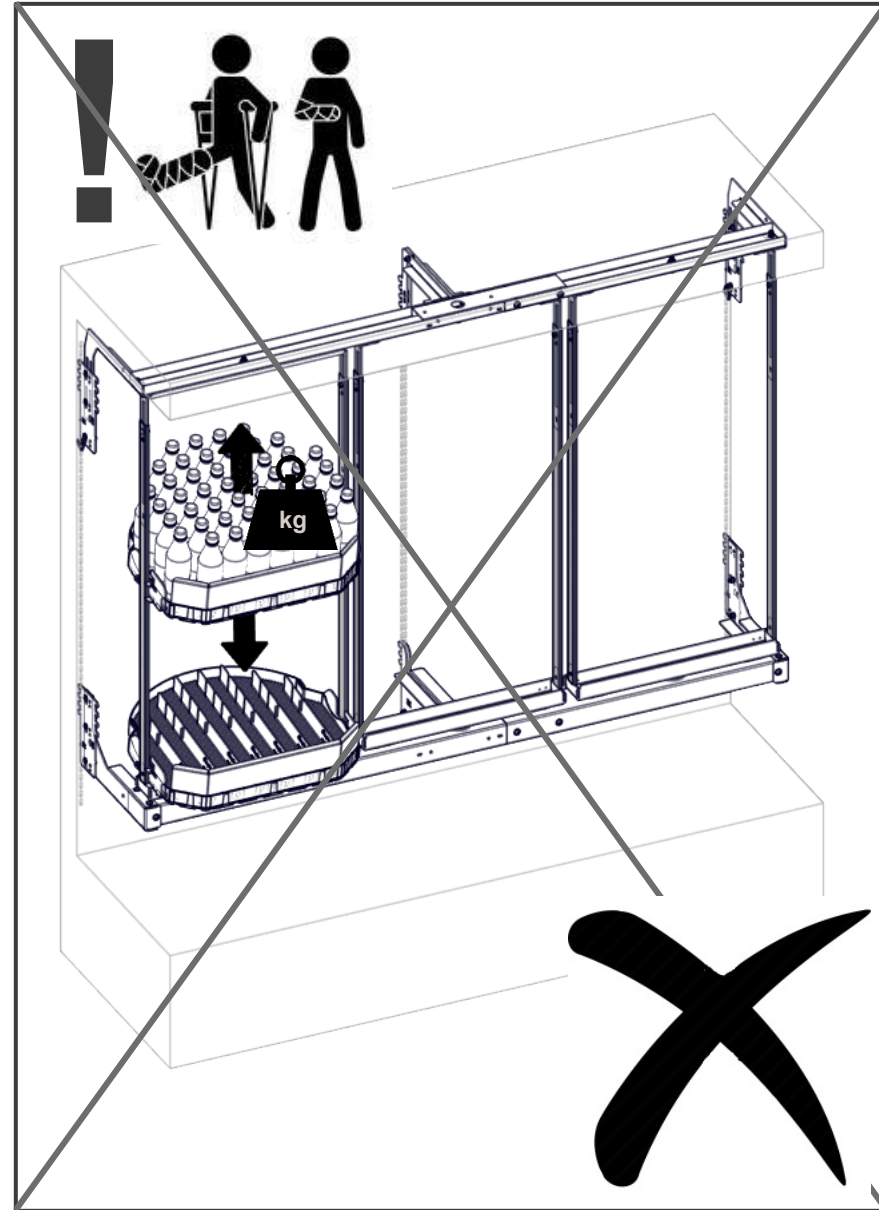
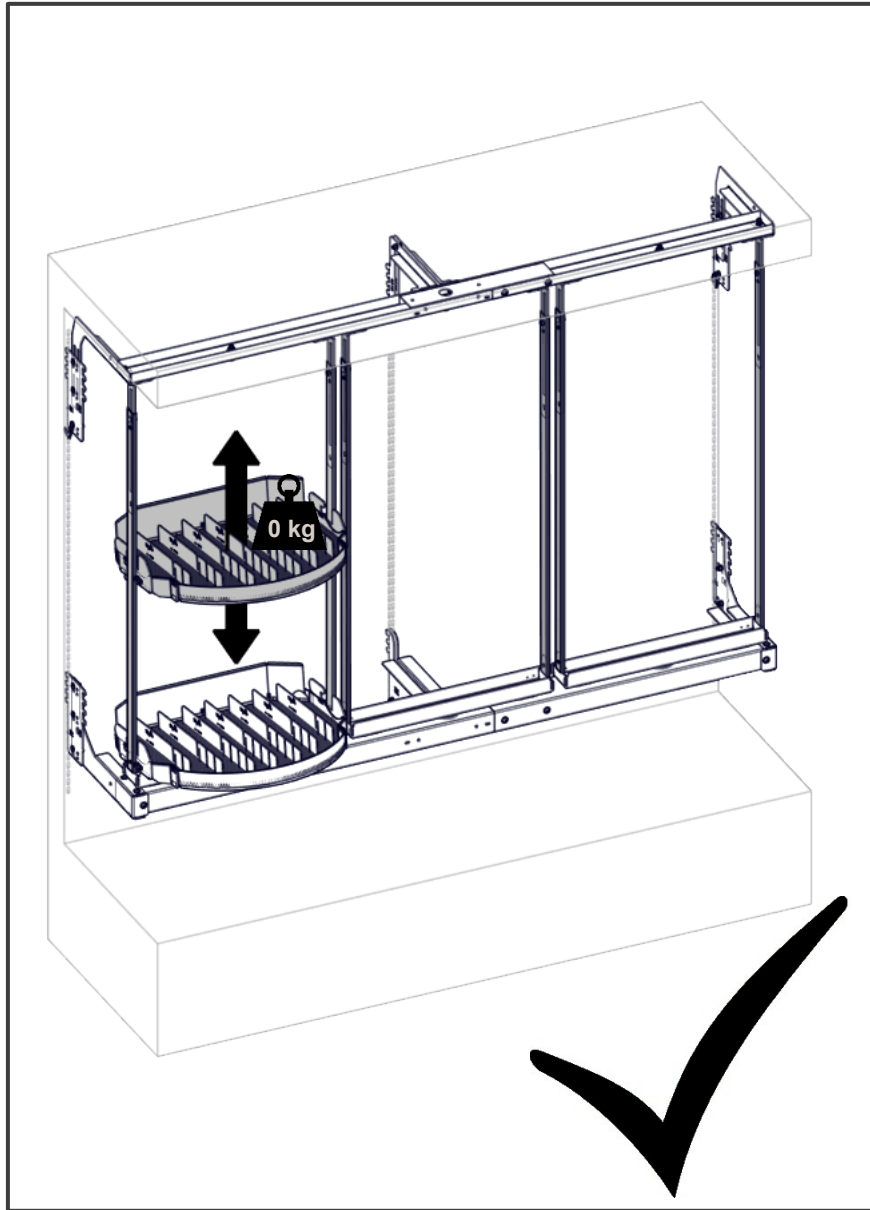
29



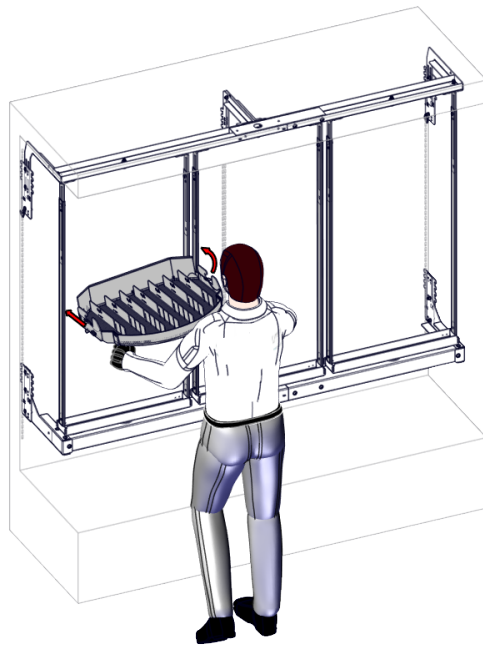


Adjusting shelf position

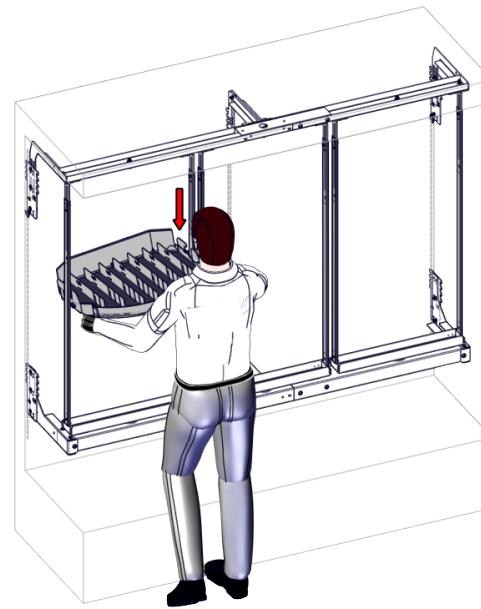




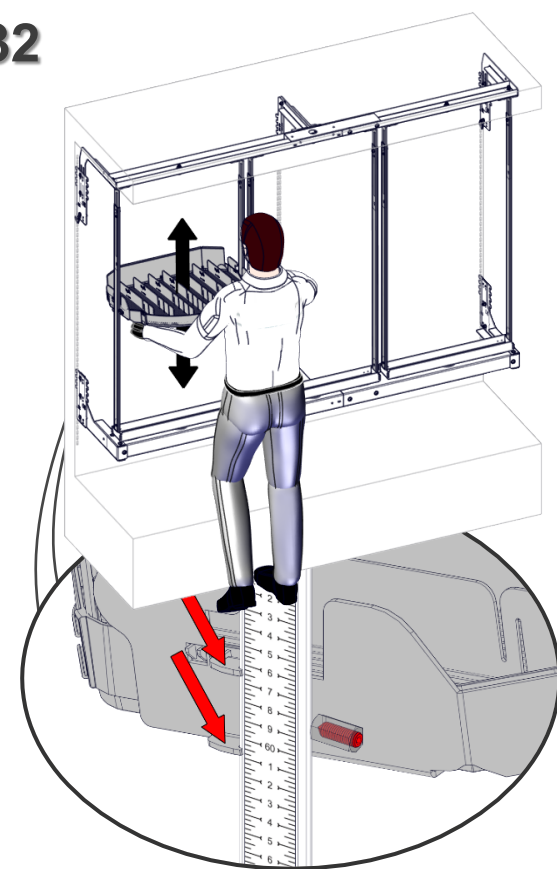
30



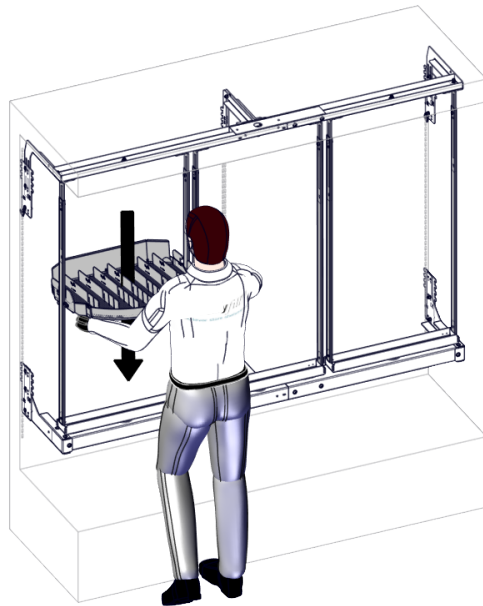
31



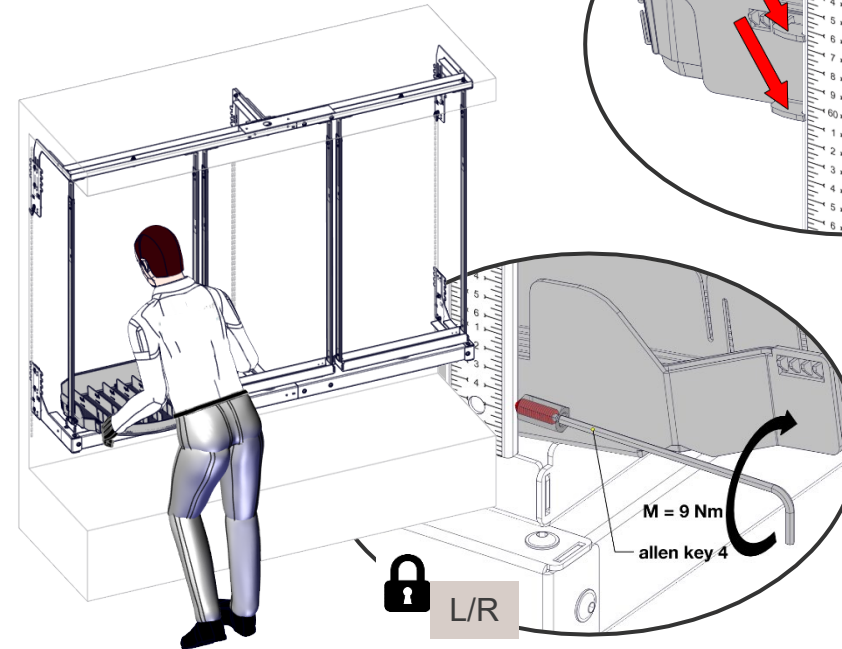
32



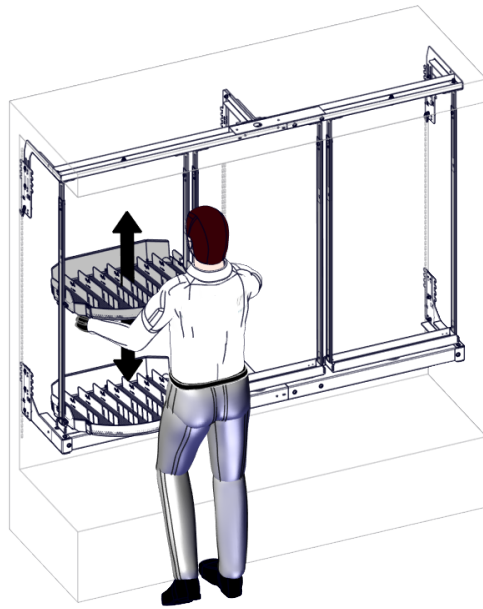
33



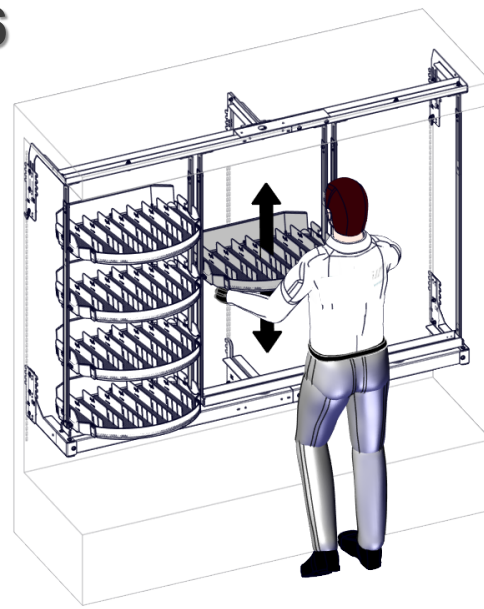
34



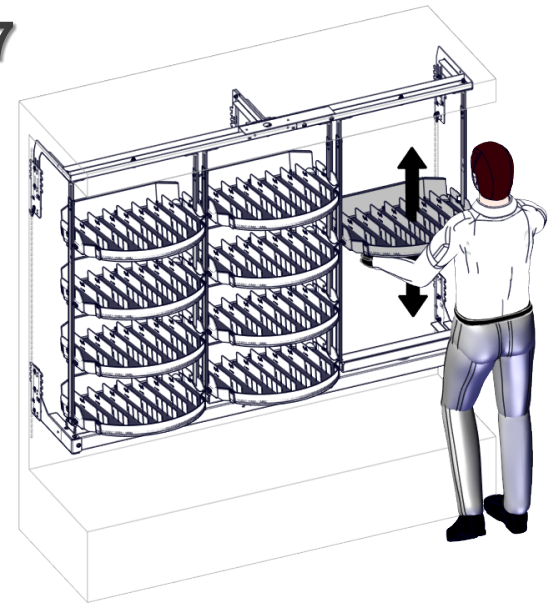
35



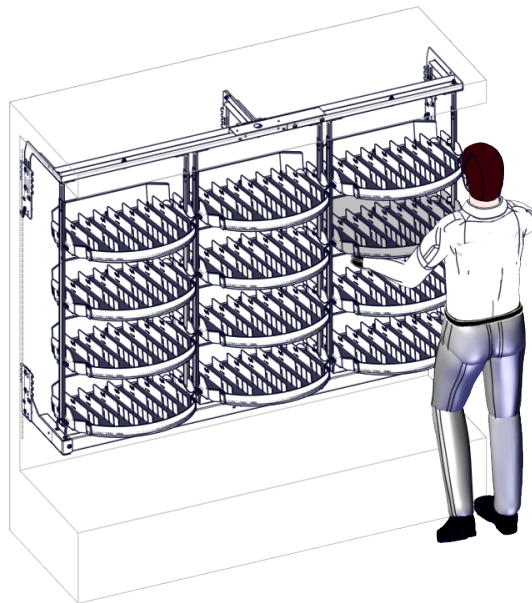
36



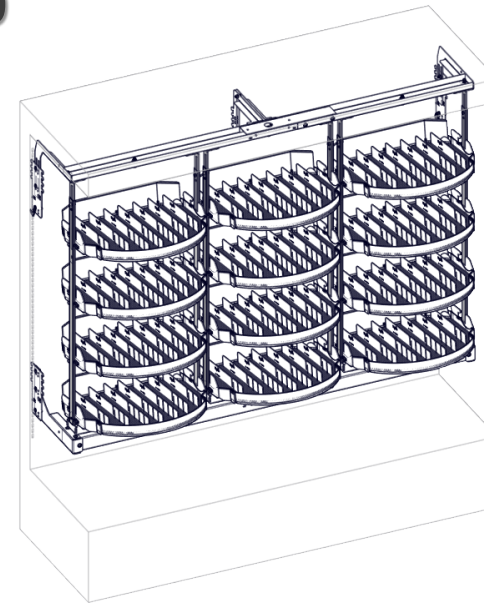
37



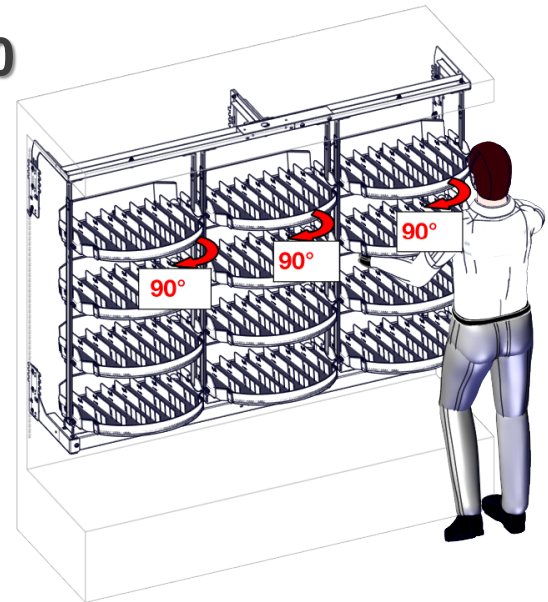
38



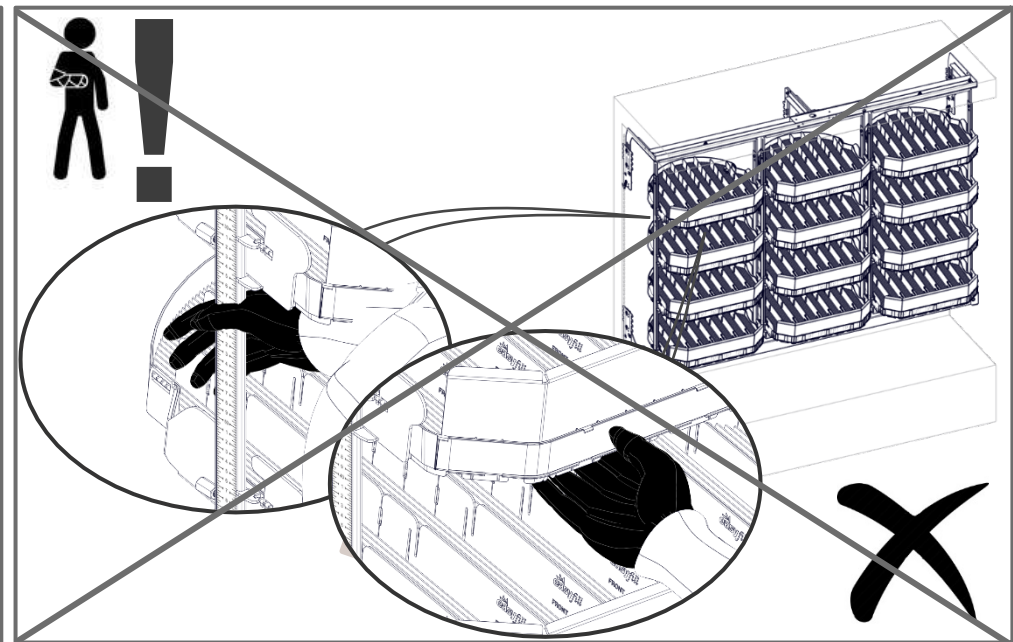
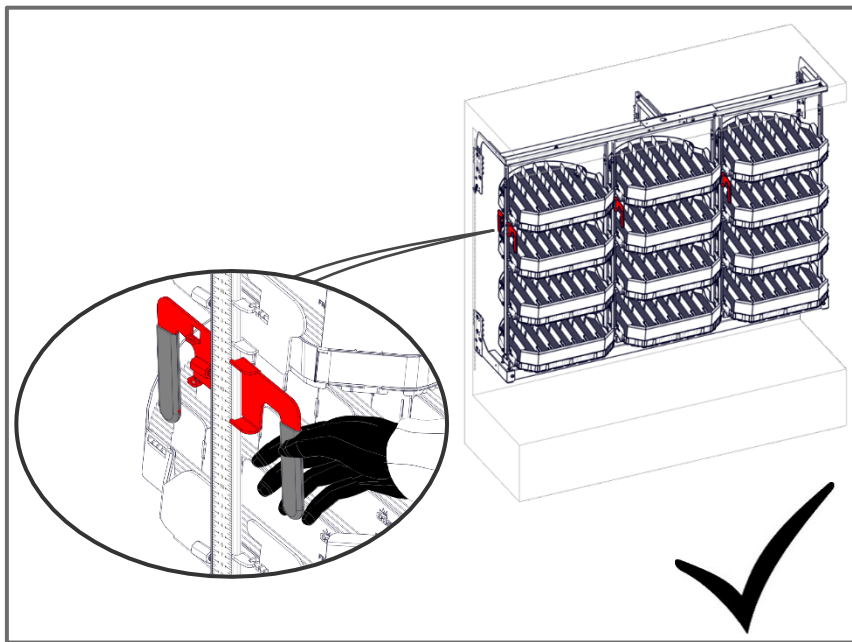
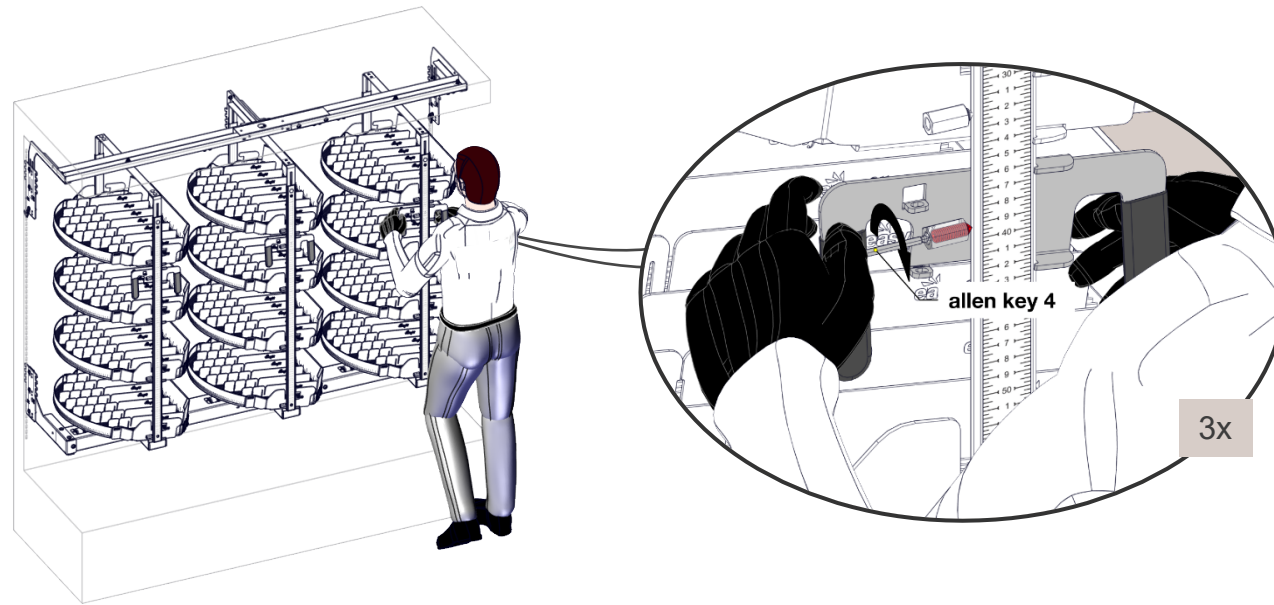
39



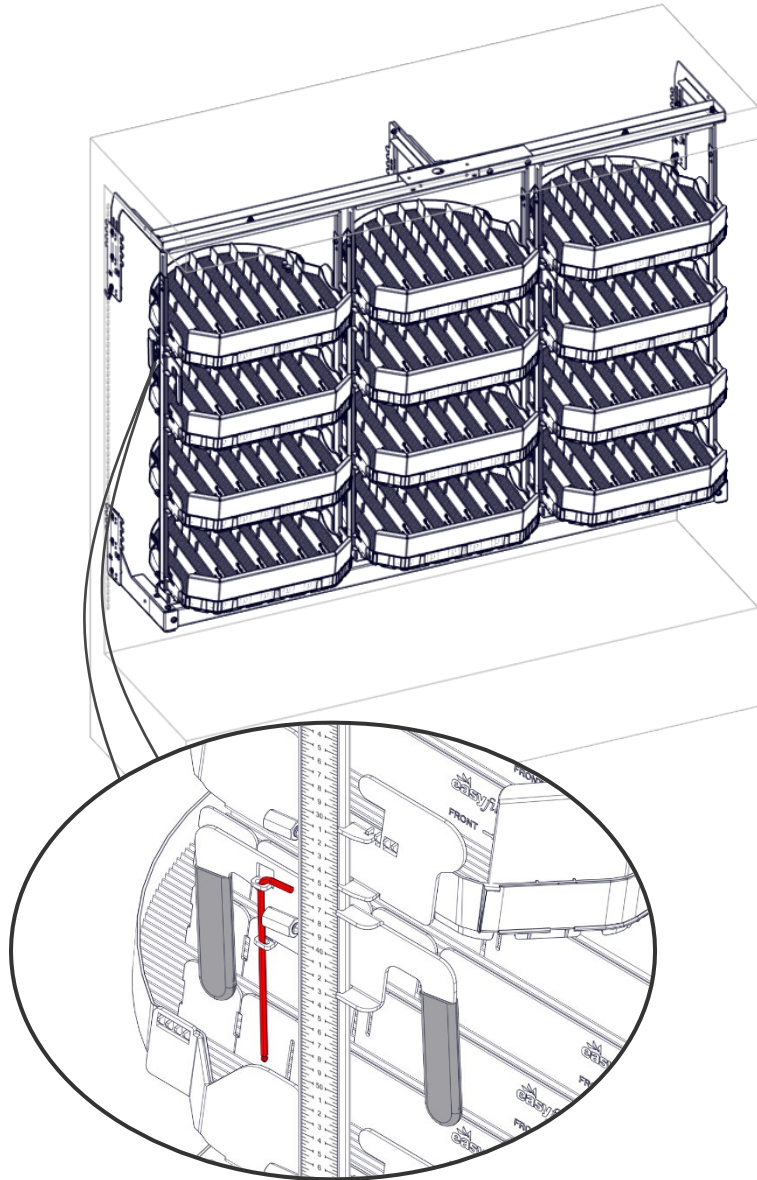
40



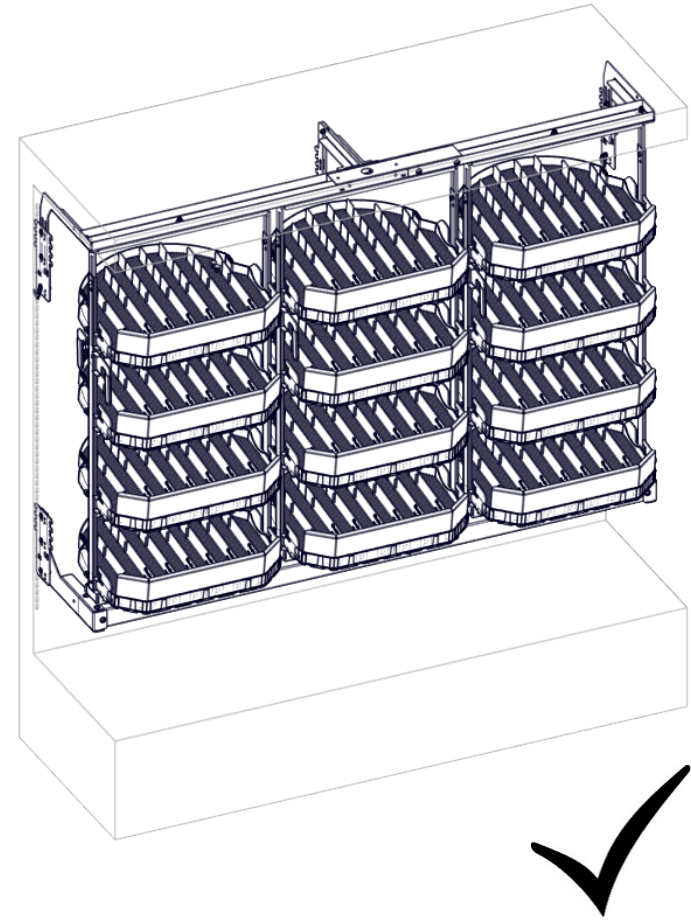
41



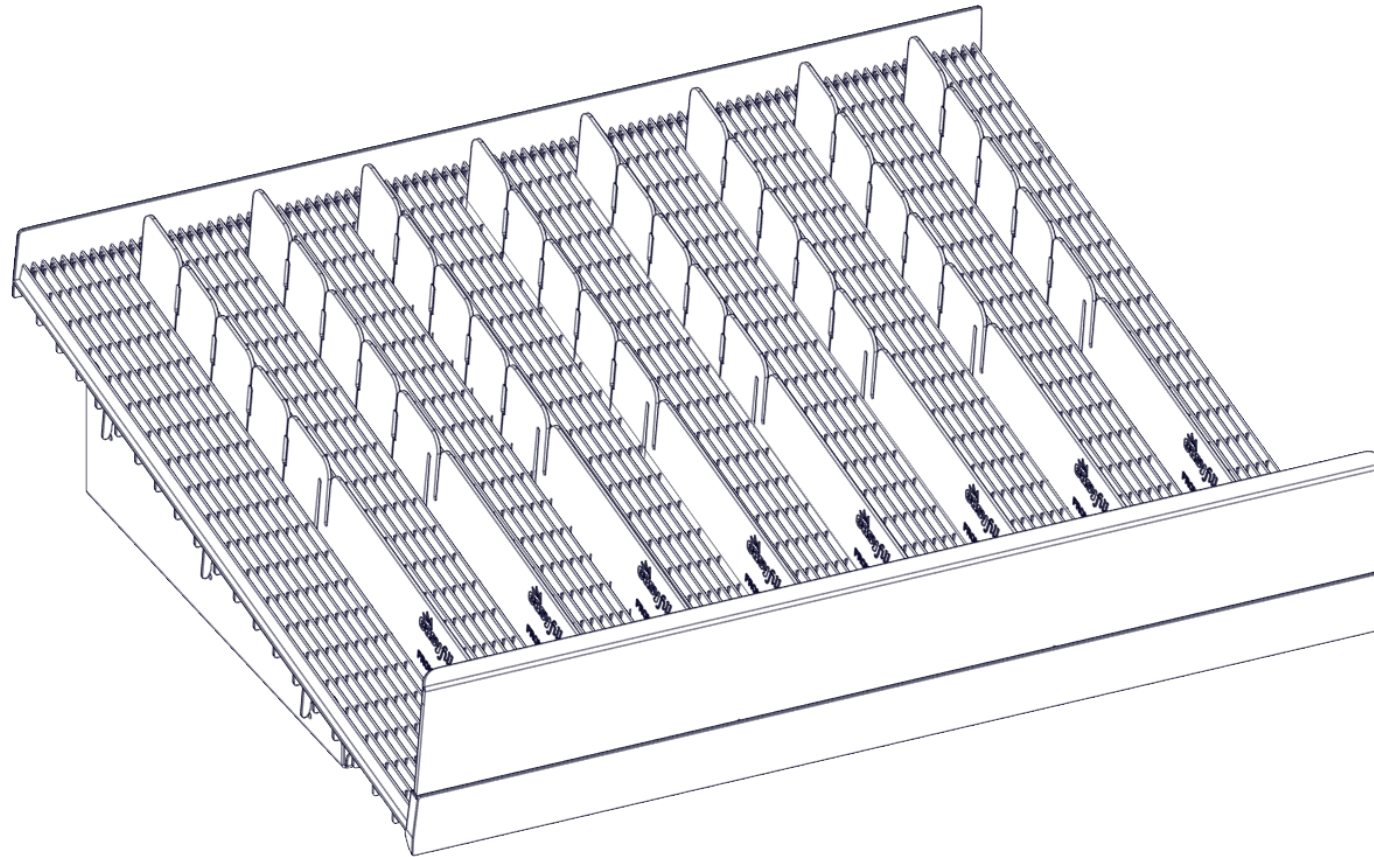
42

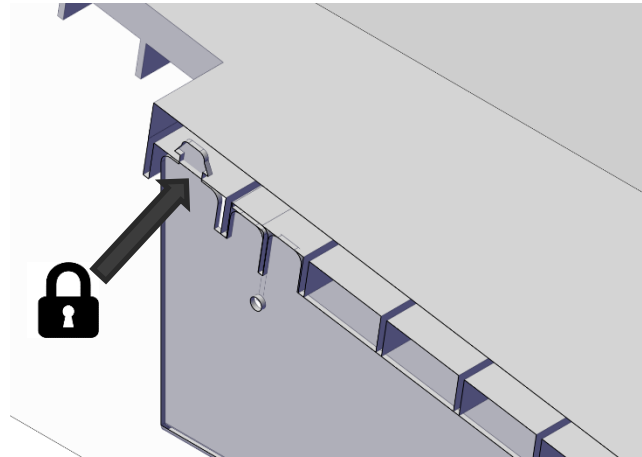
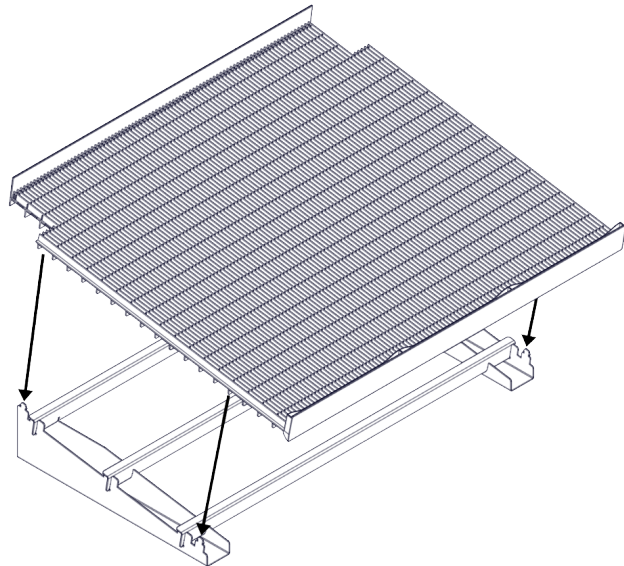
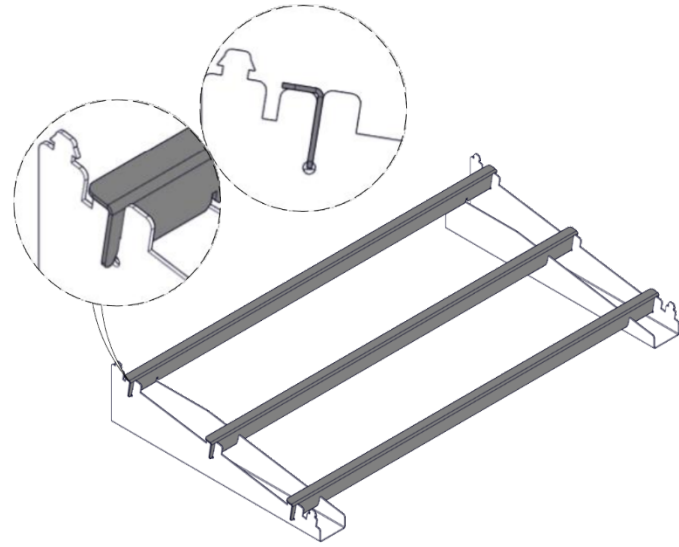
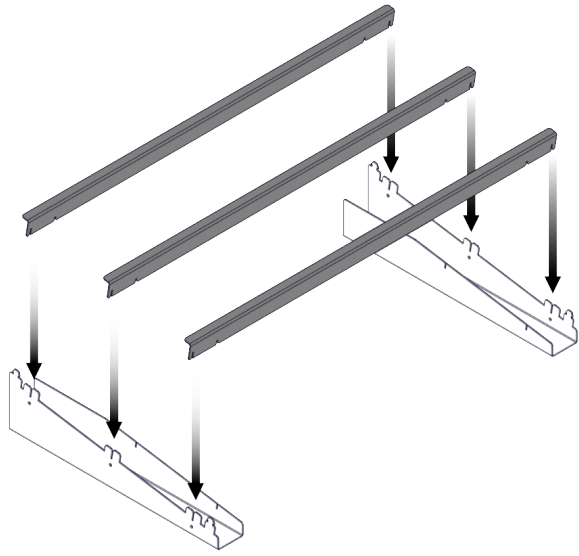


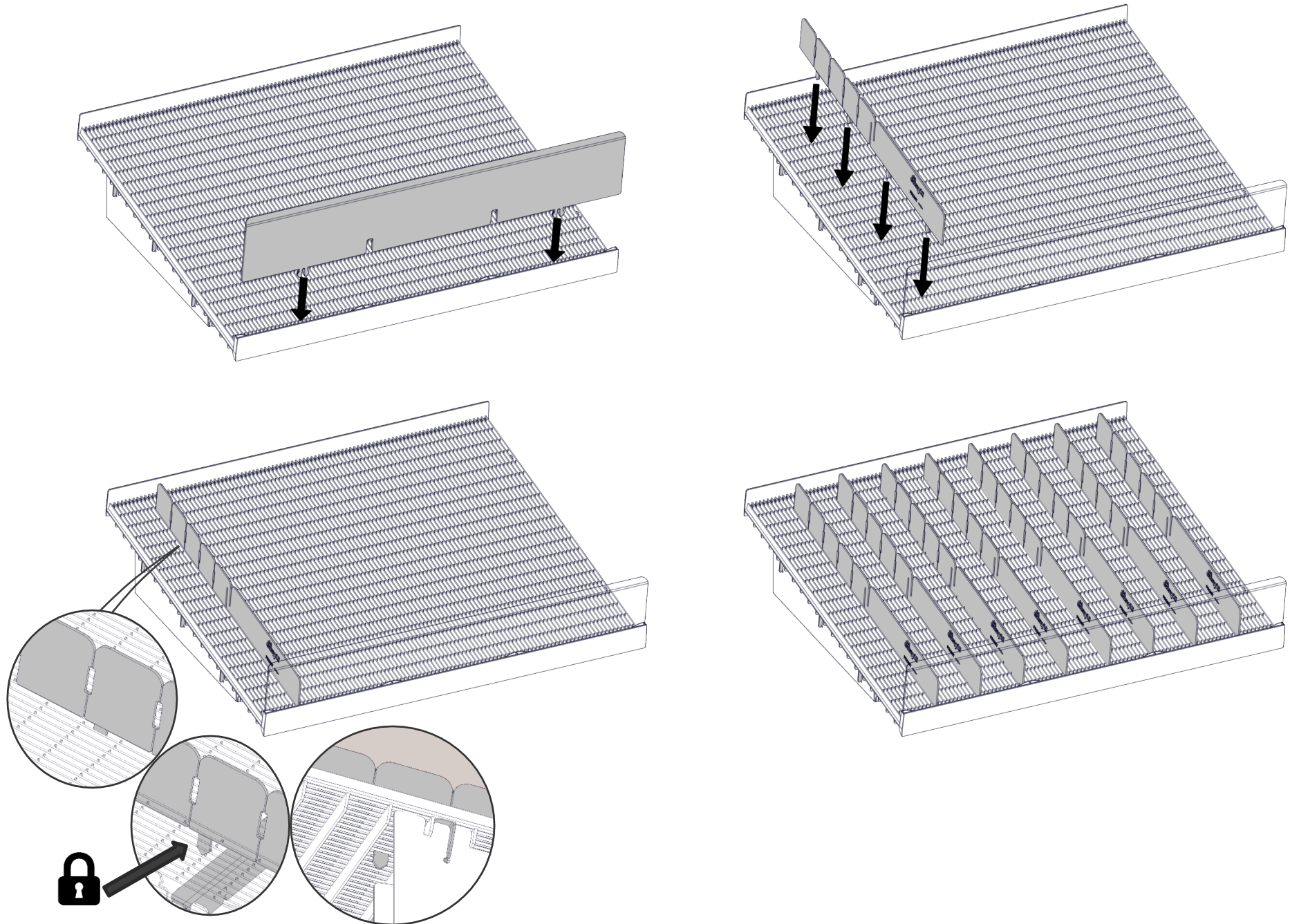
43

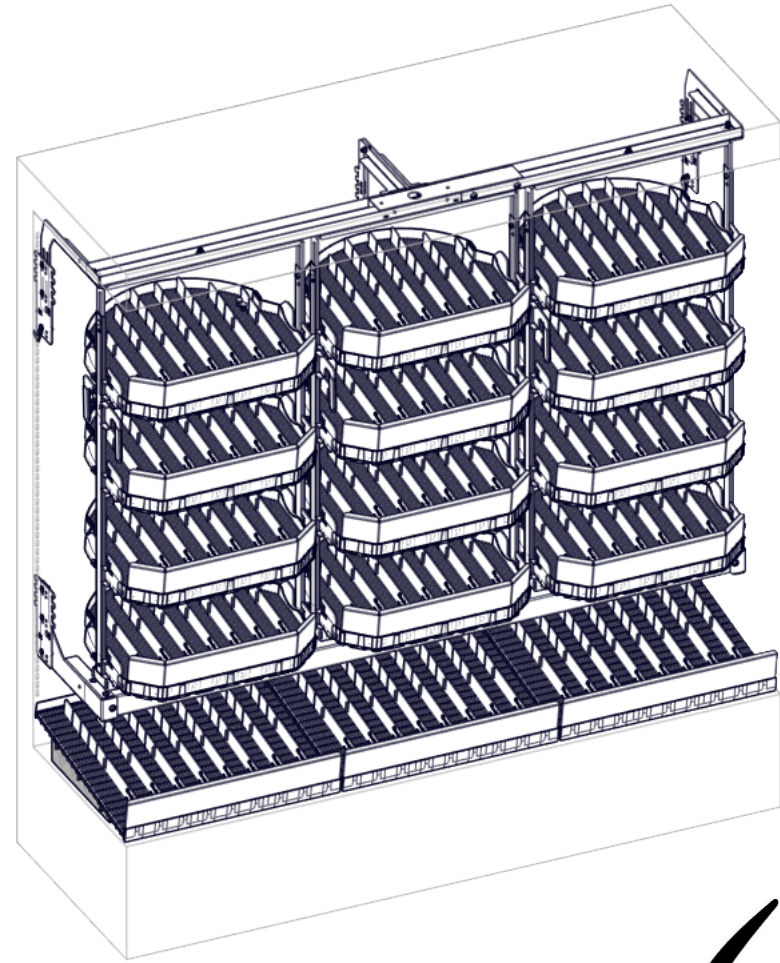
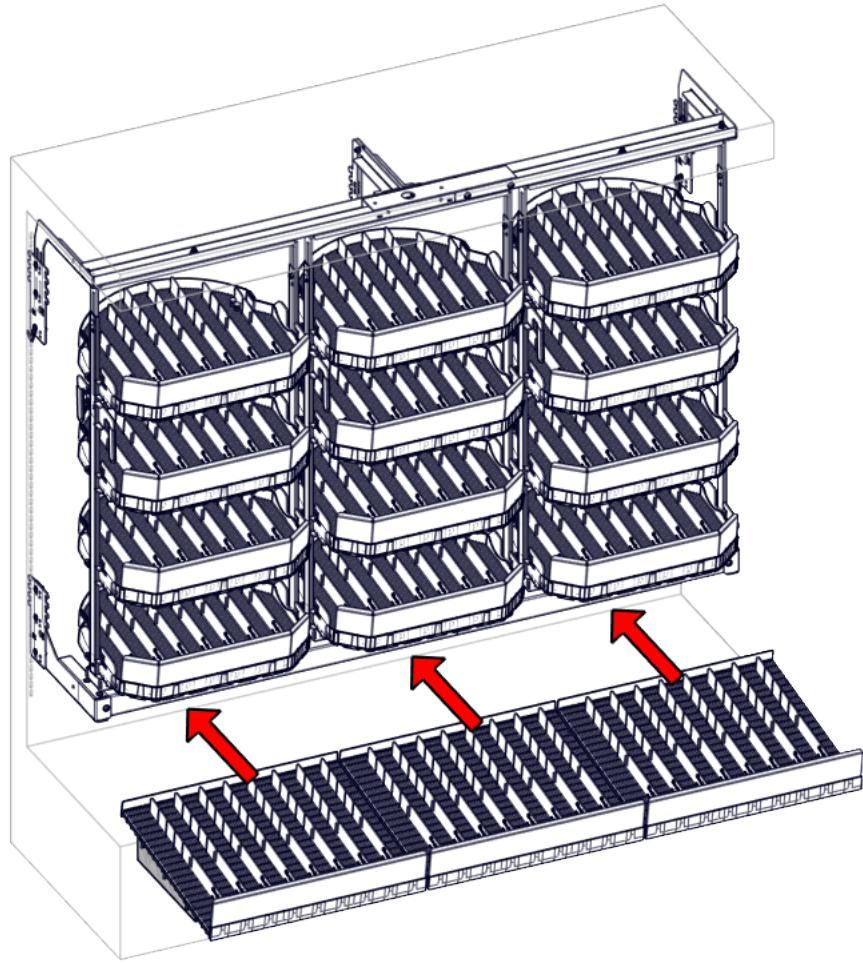


Installation of base shelf









Rotoshelf



ALL PICTURES SHOWN ARE FOR ILLUSTRATION PURPOSE ONLY. ACTUAL PRODUCT MAY VARY DUE TO PRODUCT ENHANCEMENT.
ALL CHANGES ARE RESERVED BY EASYFILL.

